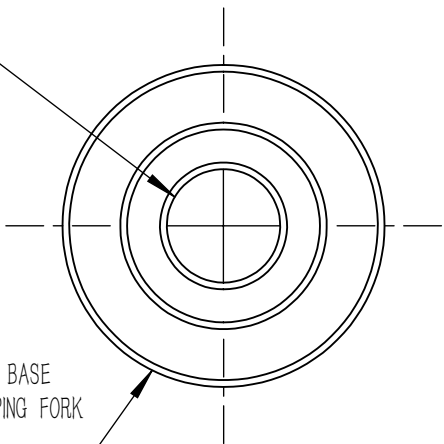


M6 x 1.0 MOUNTING HOLE
7mm [0.28in] DEEP

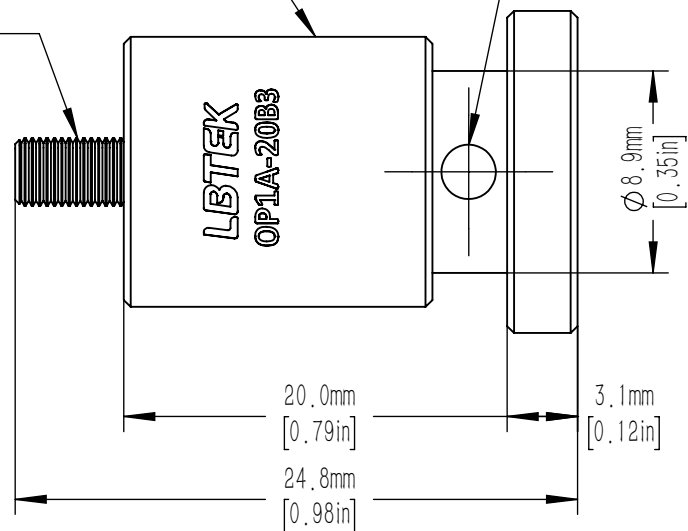
Ø 14.2mm [0.56in] PEDESTAL BASE
FOR USE WITH MINI SERIES CLAMPING FORK
(NOT INCLUDED)



REMOVABLE M3X0.5 SET SCREW (INCLUDED)
8mm [0.31in] LENGTH
1.5mm [0.08in] HEX

Ø 12.0mm
[0.47in]

Ø 2.4mm [0.10in] THRU HOLE
ACCEPTS 2.0mm [5/64in] BALL DRIVER
TO PROVIDE ADDITIONAL TORQUE FOR
TIGHTENING/LOOSENING STACKED POSTS



DRAWING PROJECTION			LBTEK			
	NAME	DATE				
DRAWN	ZHL	NOV./26th/23	Ø 12 mm OPTICAL ADAPTER WITH BACK			
APPROVAL	HDE	NOV./26th/23	MATERIAL	WEIGHT	SCALE	REV
FOR INFORMATION ONLY NOT FOR MANUFACTURING PURPOSES			N/A	0.016Kg	3:1	B