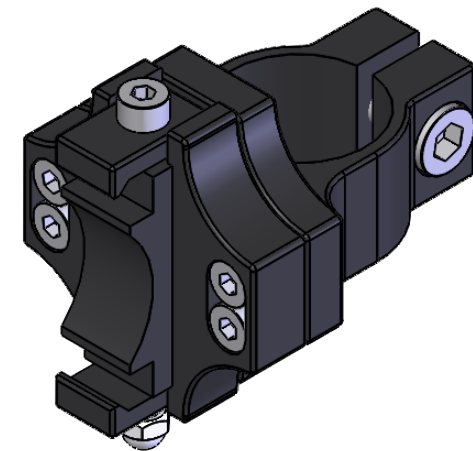
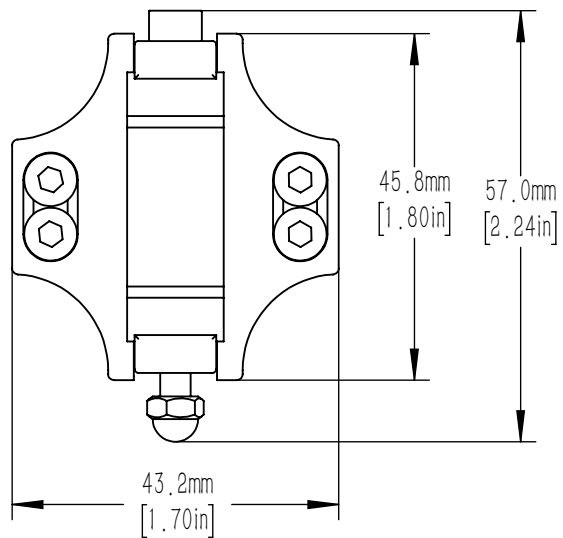


ACCEPTS $\varnothing 6.0\text{mm}$ [0.24in]
CAGE MOP SERIES RODS
(NOT INCLUDED)



视图 A



DRAWING PROJECTION			LBTEK			
NAME	DATE	OP1AD-30C				
DRAWN	ZYANG	Aug./19th/19	30.0mm CAGE TO OP1-POST CLAMP			
APPROVAL	ERIC	Aug./19th/19	MATERIAL	WEIGHT	SCALE	REV
FOR INFORMATION ONLY NOT FOR MANUFACTURING PURPOSES			N/A	0.084 Kg	1:1	B