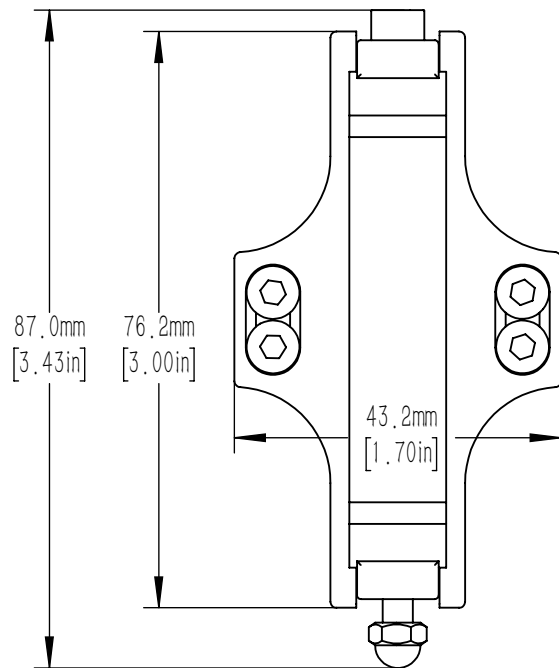
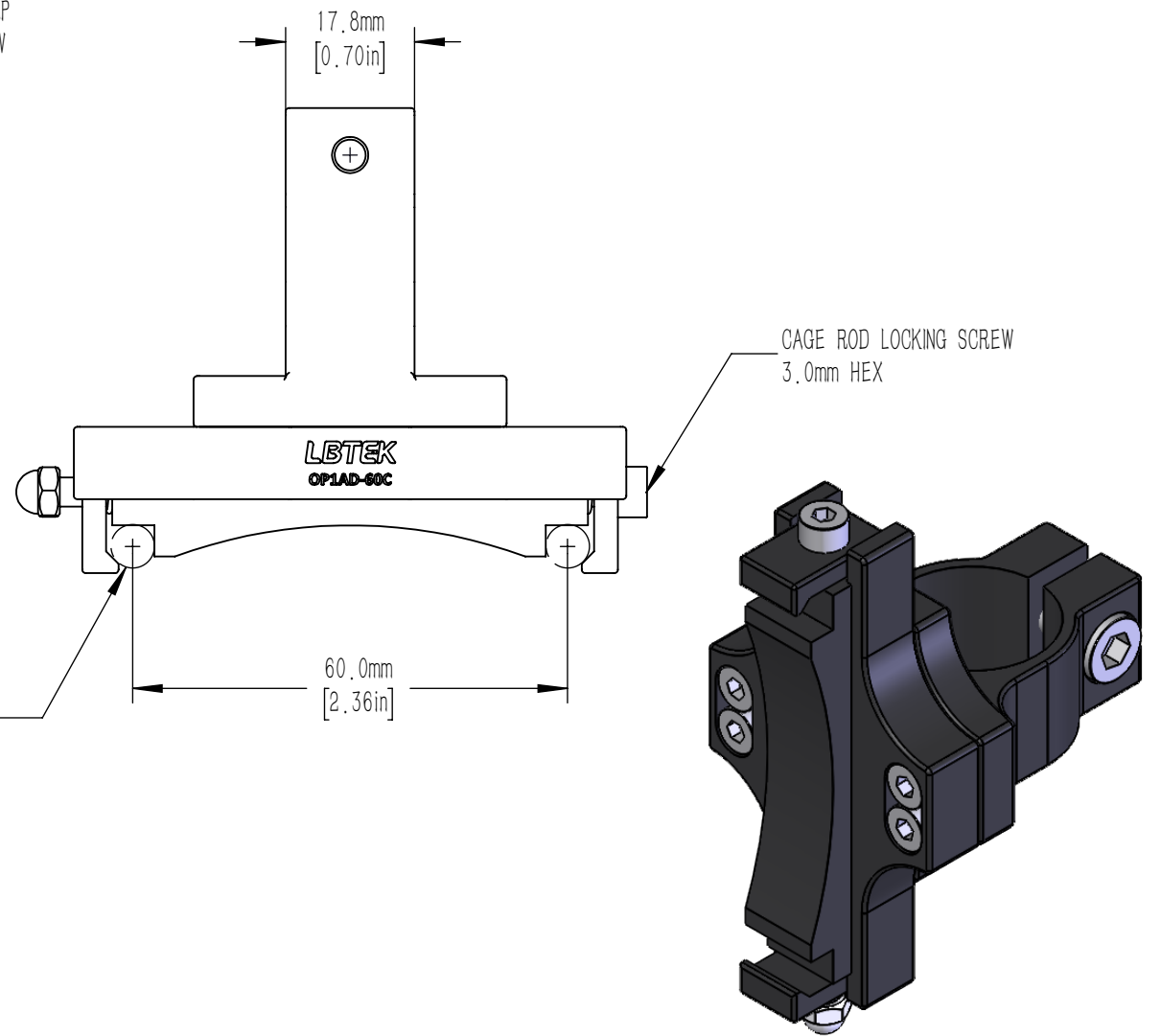


视图 A
 A

ACCEPTS $\text{Ø}6.0\text{mm}$ [0.24in]
 CAGE MOP SERIES RODS
 (NOT INCLUDED)



DRAWING PROJECTION							
	NAME	DATE					
DRAWN	ZYANG	Aug./19th/19		60.0mm CAGE TO OP1-POST CLAMP			
APPROVAL	ERIC	Aug./19th/19		MATERIAL	WEIGHT	SCALE	REV
FOR INFORMATION ONLY NOT FOR MANUFACTURING PURPOSES				N/A	0.104 Kg	1:1	B