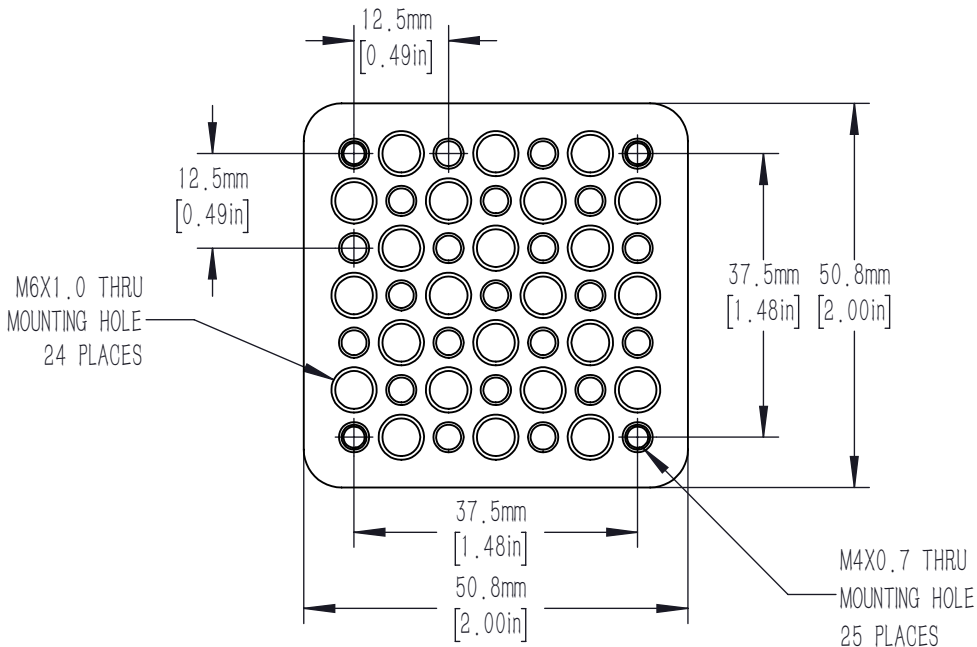


REMOVABLE ADAPTER PLATE
WITH M6X1.0 & M4X0.7
TAPPED HOLES

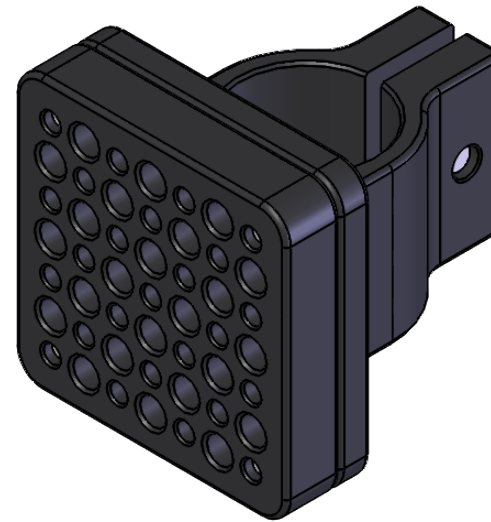
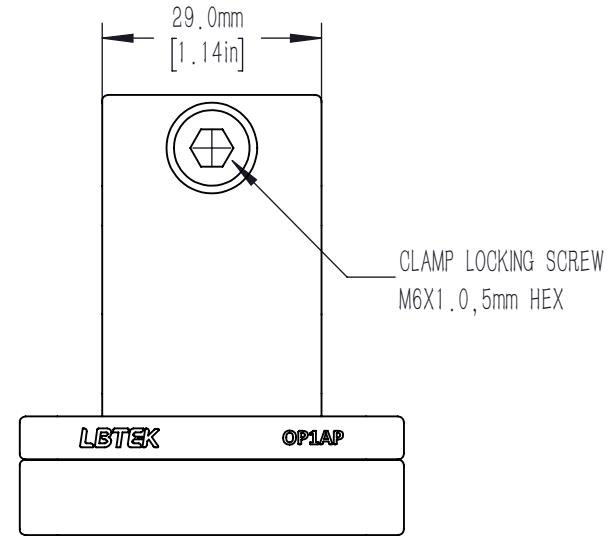


A



M6X1.0 THRU
MOUNTING HOLE
24 PLACES

M4X0.7 THRU
MOUNTING HOLE
25 PLACES



DRAWING PROJECTION			LBTEK			
	NAME	DATE				
DRAWN	ZYANG	JUL./30th/19	POST CLAMP FOR ϕ 25mm POST			
APPROVAL	ERIC	JUL./30th/19	MATERIAL	WEIGHT	SCALE	REV
FOR INFORMATION ONLY NOT FOR MANUFACTURING PURPOSES			N/A	0.142 Kg	1:1	B