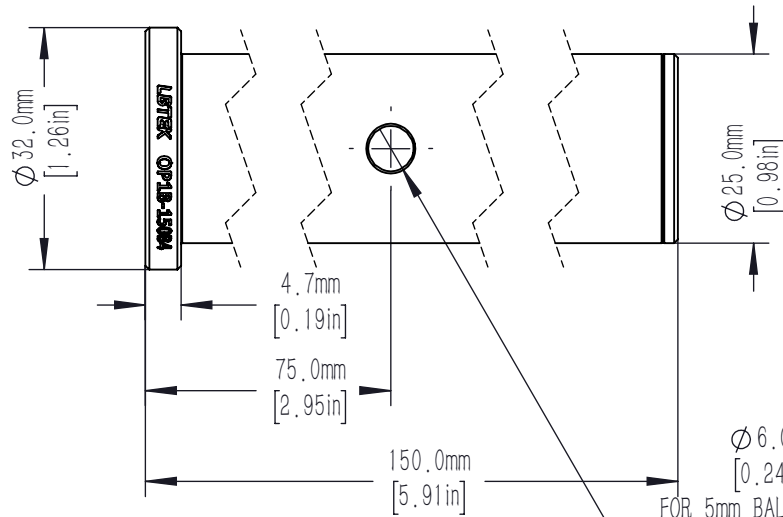
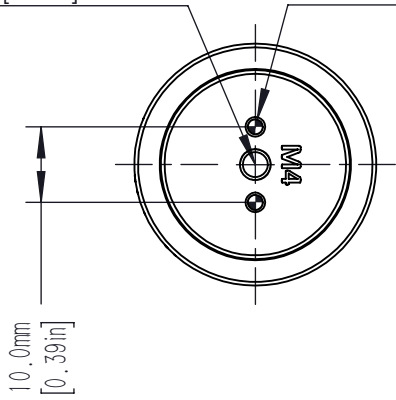
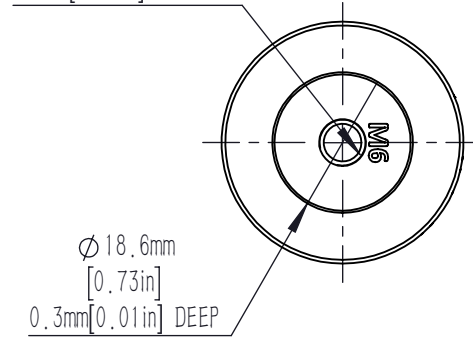


M4 x 0.7 MOUNTING HOLE
6mm [0.24in] DEEP

Ø 2.0mm
[0.08in]
4.2mm [0.175in] DEEP
ALIGNMENT PIN HOLES
2 PLACES



M6 x 1.0 MOUNTING HOLE
10mm [0.39in] DEEP



Ø 6.0mm THRU HOLE
[0.24in]
FOR 5mm BALL DRIVER OR HEX KEY
PROVIDES EXTRA TORQUE WHEN
TIGHTENING/REMOVING MOUNTS

DRAWING PROJECTION			LBTEK			
	NAME	DATE				
DRAWN	PCH	Mar./11th/25	Ø 25mm EXTENSION ROD			
APPROVAL	YLI	Mar./11th/25	MATERIAL	WEIGHT	SCALE	REV
FOR INFORMATION ONLY NOT FOR MANUFACTURING PURPOSES			STAINLESS STEEL	0.59 Kg	1:1	A