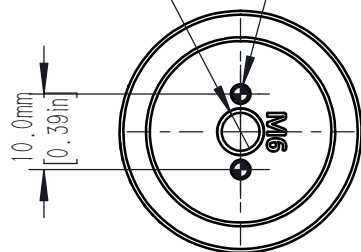
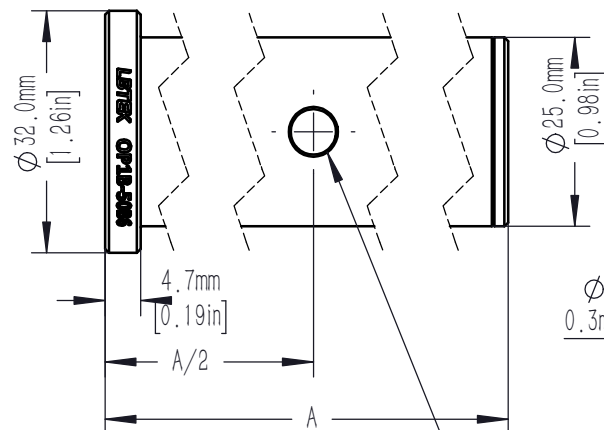
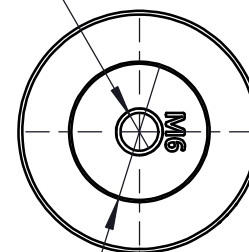


M6x1.0 MOUNTING HOLE
10mm [0.39in] DEEP

Ø2.01mm [0.079in]
4.2mm [0.175in] DEEP
ALIGNMENT PIN HOLES
2 PLACES

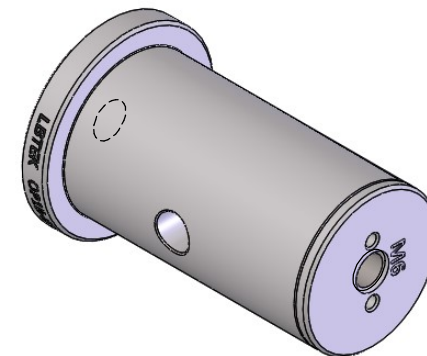


M6x1.0 MOUNTING HOLE
10mm [0.39in] DEEP



Ø18.6mm [0.73in]
0.3mm [0.01in] DEEP

Ø6mm [0.24in] THRU HOLE
FOR 5mm BALL DRIVER OR HEX KEY
PROVIDES EXTRA TORQUE WHEN
TIGHTENING/REMOVING MOUNTS



NO.	ITEM	A LENGTH/mm[in]	WEIGHT/kg				
				8	OP1B-20B6	20[0.78]	0.08
1	OP1B-25B6	25[0.98]	0.10	9	OP1B-30B6	30[1.18]	0.12
2	OP1B-38B6	38[1.50]	0.15	10	OP1B-40B6	40[1.57]	0.16
3	OP1B-50B6	50[1.97]	0.19	11	OP1B-45B6	45[1.77]	0.18
4	OP1B-75B6	75[2.95]	0.29	12	OP1B-55B6	55[2.17]	0.22
5	OP1B-100B6	100[3.94]	0.39	13	OP1B-60B6	60[2.36]	0.24
6	OP1B-200B6	200[7.87]	0.79	14	OP1B-70B6	70[2.75]	0.28
7	OP1B-300B6	300[11.8]	1.18	15	OP1B-80B6	80[3.15]	0.32
				16	OP1B-85B6	85[3.35]	0.34

DRAWING PROJECTION			LBTEK			
	NAME	DATE				
			OP1B-**B6			
DRAWN	SSO	MAR./6th/24	Ø25mm EXTENSION ROD			
APPROVAL	YLI	MAR./6th/24	MATERIAL	WEIGHT	SCALE	REV
FOR INFORMATION ONLY NOT FOR MANUFACTURING PURPOSES			STAINLESS STEEL	* Kg	1:1	D