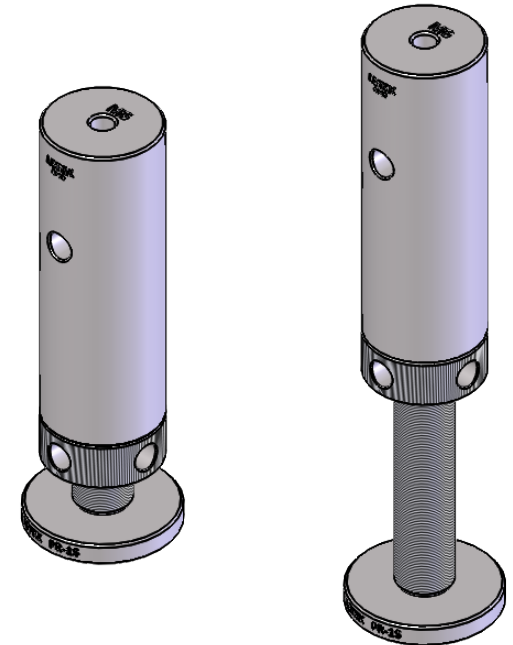


MAXIMUM POSITION



DRAWING PROJECTION			LBTEK			
	NAME	DATE				
DRAWN	ZYANG	NOV./18th/19	ADJUSTABLE HEIGHT POST			
APPROVAL	YCHI	NOV./18th/19	MATERIAL	WEIGHT	SCALE	REV
FOR INFORMATION ONLY NOT FOR MANUFACTURING PURPOSES			STAINLESS STEEL	0.345 Kg	1:1.5	B