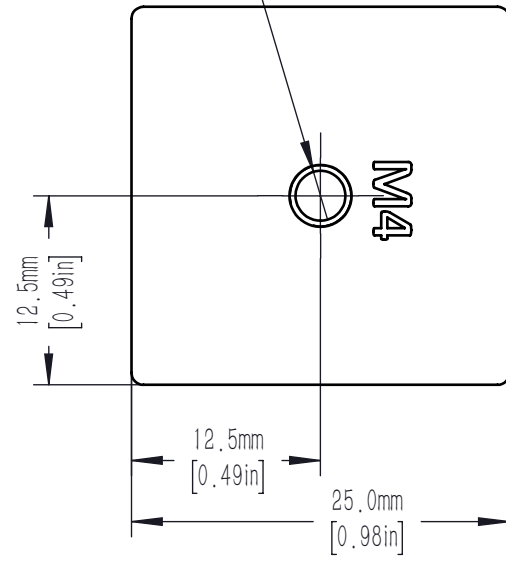
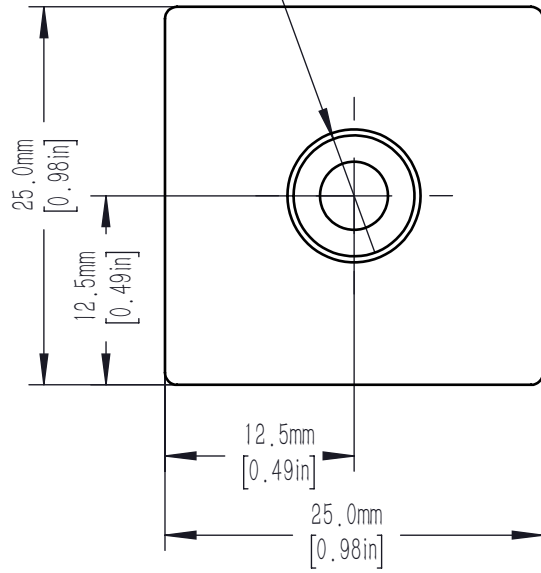
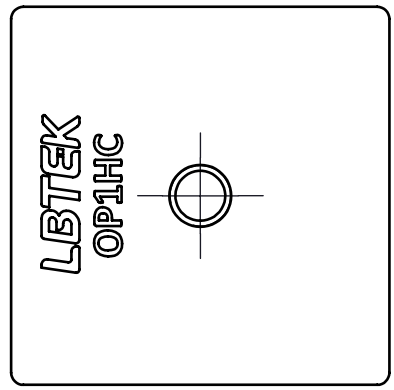


\square $\phi 4.5\text{mm}$ [0.18in] THRU
 \square $\phi 8.0\text{mm}$ [0.31in] ∇ 20mm [0.79in]
 TO SUIT M4 HEXAGON SOCKETHEAD CAP SCREW

4 x M4 - 6H ∇ 6.5mm [0.26in]
 4 PALCES



DRAWING PROJECTION			LBTEK			
	NAME	DATE	OP1HC			
DRAWN	ZHE	OCT./10th/19	STAINLESS CONSTRUCTION CUBE			
APPROVAL	ERIC	OCT./10th/19	MATERIAL	WEIGHT	SCALE	REV
FOR INFORMATION ONLY NOT FOR MANUFACTURING PURPOSES			STAINLESS STELL	0.114 Kg	2:1	B