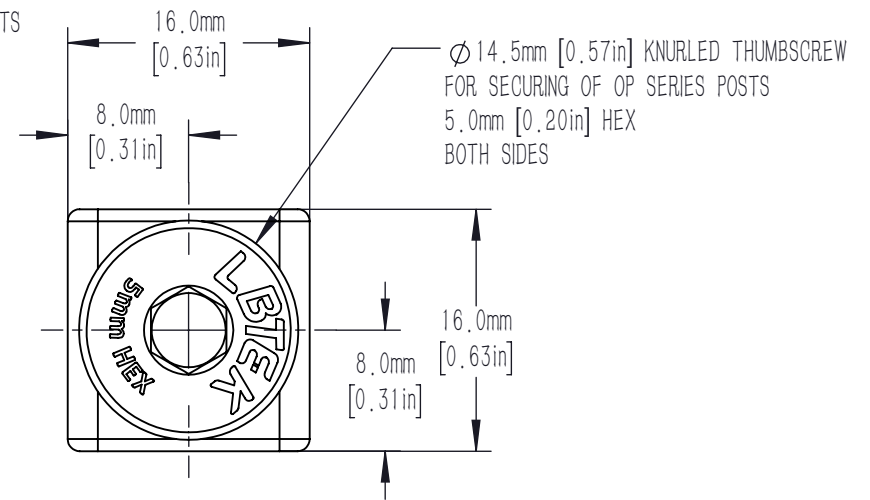
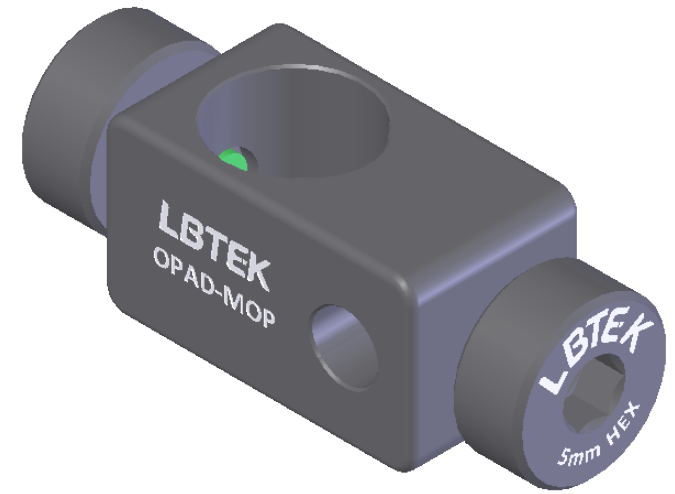
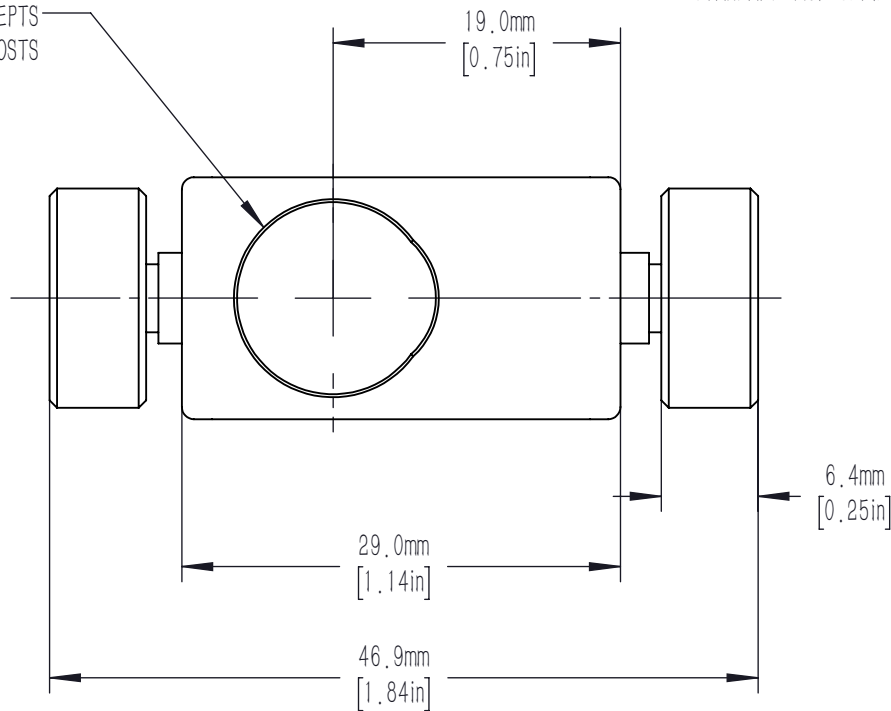


Ø 6.0mm [0.24in] ACCEPTS
STANDARD MOP SERIES POSTS

Ø 12.8mm [0.50in] ACCEPTS
STANDARD OP SERIES POSTS



Ø 14.5mm [0.57in] KNURLED THUMBSCREW
FOR SECURING OF OP SERIES POSTS
5.0mm [0.20in] HEX
BOTH SIDES

DRAWING PROJECTION				LBTEK			
	NAME	DATE	OPAD-MOP				
DRAWN	YCH	NOV./26th/19	ANGLE POST CLAMP				
APPROVAL	ZHE	NOV./26th/19	MATERIAL	WEIGHT	SCALE	REV	
FOR INFORMATION ONLY NOT FOR MANUFACTURING PURPOSES			N/A	0.029 Kg	2:1	B	