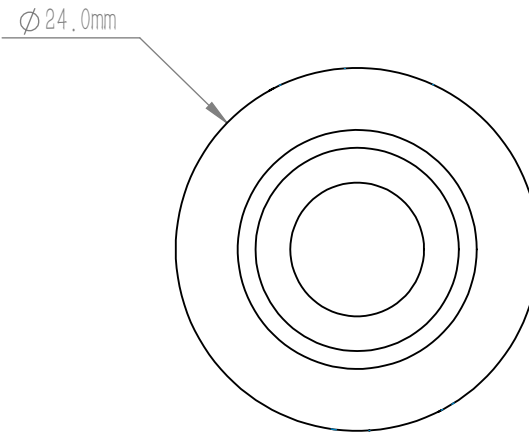
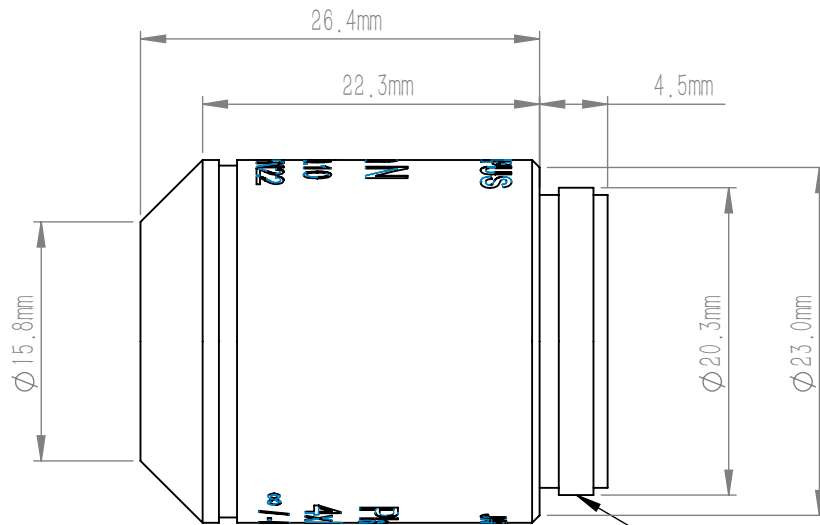


PARFOCAL DISTANCE	45 mm
WORKING DISTANCE	18.5 mm



W20.32X0.706(RMS)

DRAWING PROJECTION			LBTEK www.lbtek.com			
	NAME	DATE				
DRAWN	JLIU	2021/5/26	PLAN ACHROMATIC OBJECTIVE			
APPROVAL	YFAN	2021/5/26	MATERIAL	WEIGHT	SCALE	REV
FOR INFORMATION ONLY NOT FOR MANUFACTURING PURPOSES			N/A	28.65 g	2:1	AE