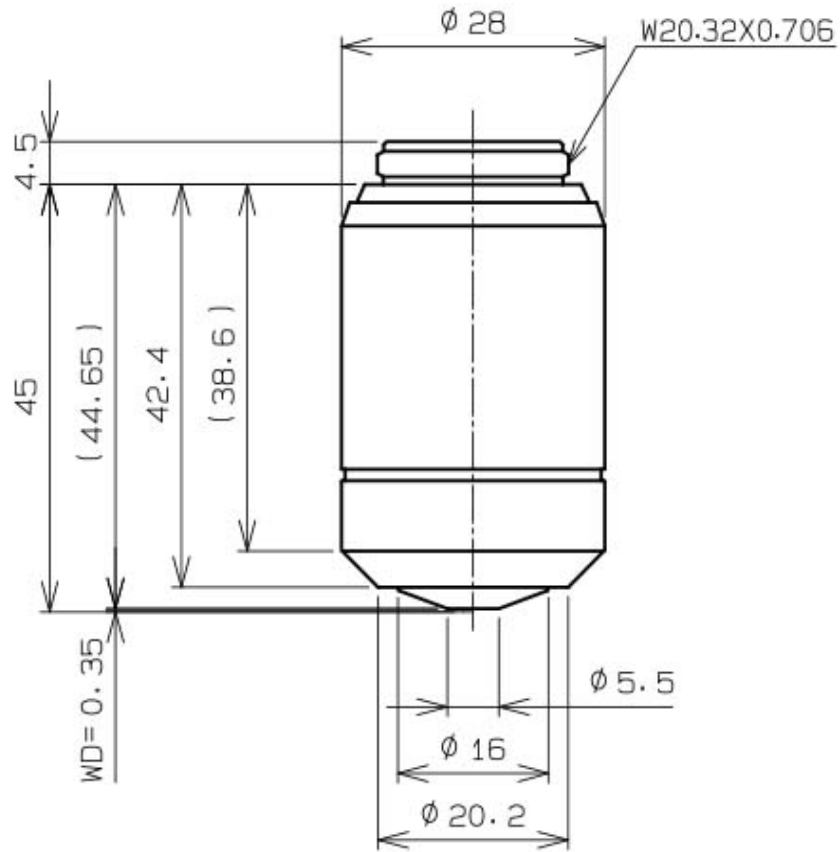


PARFOCAL DISTANCE	45 mm
WORKING DISTANCE	0.35 mm



DRAWING PROJECTION			LBTEK			
	NAME	DATE				
DRAWN	SHAN	MAR./11th/25	Plan Apochromatic Objective			
APPROVAL	WCHENG	MAR./11th/25	MATERIAL	WEIGHT	SCALE	REV
FOR INFORMATION ONLY NOT FOR MANUFACTURING PURPOSES			N/A	113.6 g	2:1	A