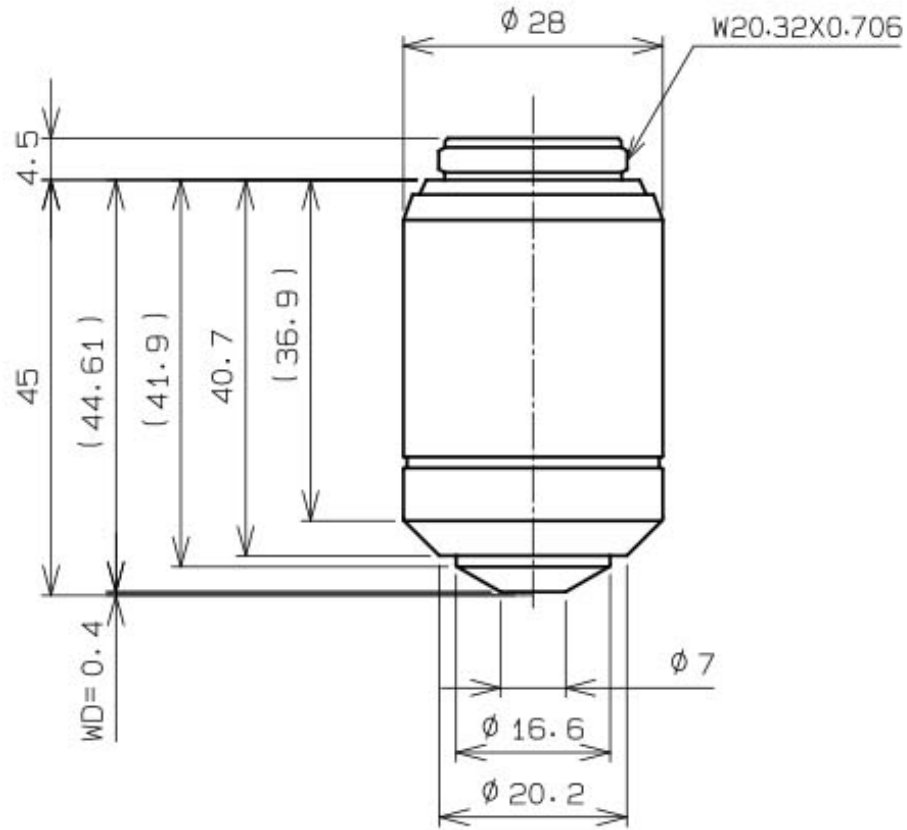


PARFOCAL DISTANCE	45 mm
WORKING DISTANCE	0.4 mm



DRAWING PROJECTION			LBTEK			
	NAME	DATE	OPLNAPO60X			
DRAWN	SHAN	MAR./11th/25	Plan Apochromatic Objective			
APPROVAL	WCHENG	MAR./11th/25	MATERIAL	WEIGHT	SCALE	REV
FOR INFORMATION ONLY NOT FOR MANUFACTURING PURPOSES			N/A	142.8 g	2:1	A