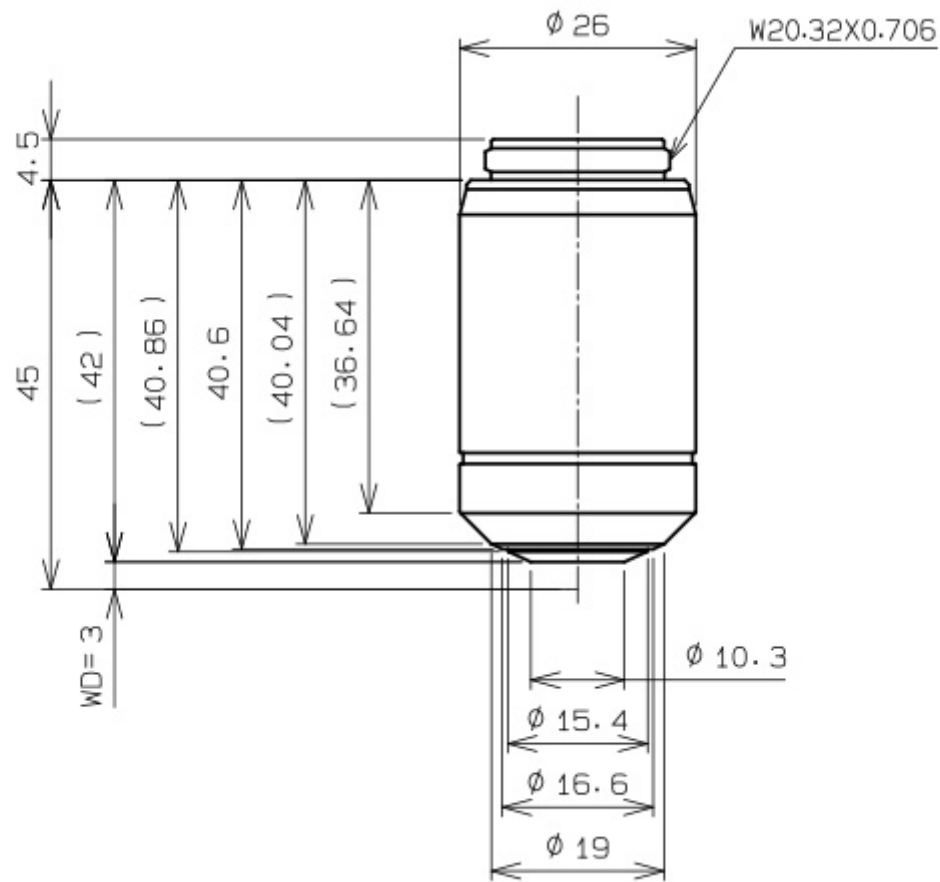


PARFOCAL DISTANCE	45 mm
WORKING DISTANCE	3 mm



DRAWING PROJECTION			LBTEK			
	NAME	DATE	OPLNFL50X			
DRAWN	SHAN	MAR./11th/25	Plan Semi-Apochromatic Objective			
APPROVAL	WCHENG	MAR./11th/25	MATERIAL	WEIGHT	SCALE	REV
FOR INFORMATION ONLY NOT FOR MANUFACTURING PURPOSES			N/A	89 g	2:1	A