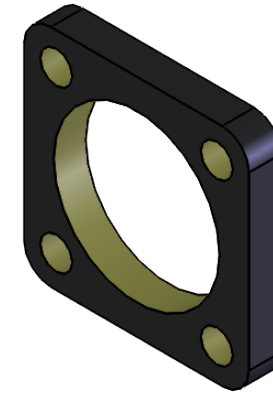
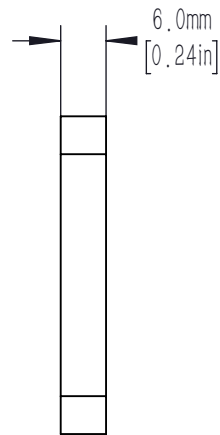
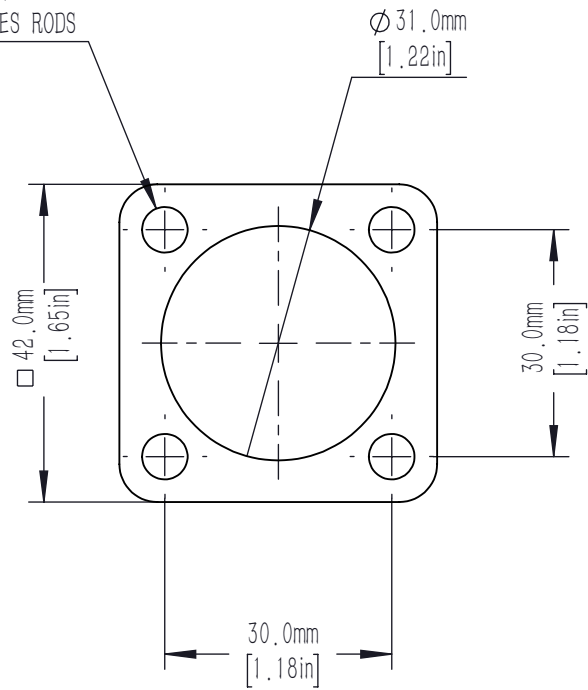


4X $\varnothing 6.0\text{mm}$
 [0.24in]
 THRU HOLES FOR
 USE WITH MOP SERIES RODS



DRAWING PROJECTION			LBTEK			
	NAME	DATE	OPM-6G			
DRAWN	CCH	AUG./24th/21	30mm WINDOW WASHER CAGE PLATE			
APPROVAL	CZH	AUG./24th/21	MATERIAL	WEIGHT	SCALE	REV
FOR INFORMATION ONLY NOT FOR MANUFACTURING PURPOSES			N/A	0.1 g	2:1	B