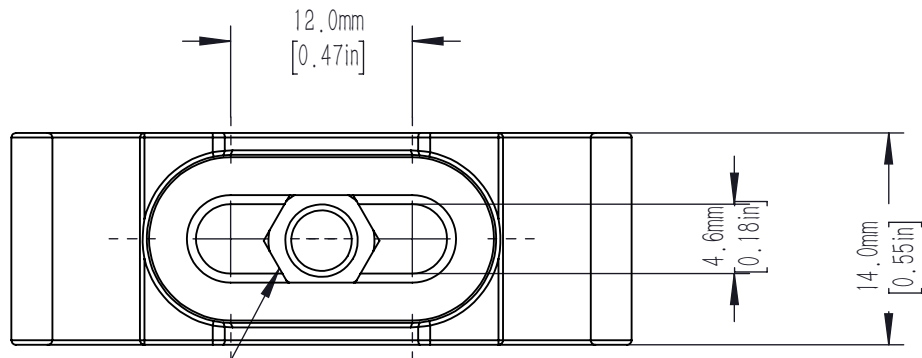
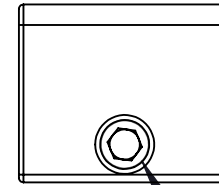


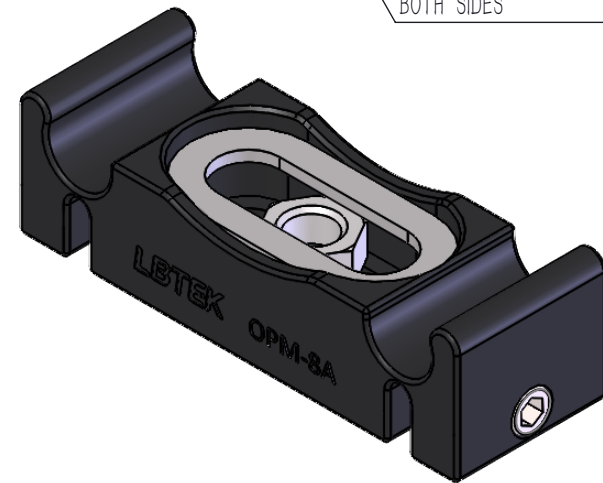
TABS ALLOW FOR SNAP-ON  
INSTALLATION/REMOVAL  
WITHIN 30mm CAGE SYSTEM



CAPTIVE M4x0.7 LOCKING NUT



CAGE ROD LOCKING SCREW  
2.0mm [0.06in] HEX  
BOTH SIDES



DRAWING PROJECTION			<b>LBTEK</b>			
NAME	DATE	OPM-8A				
DRAWN	CZH	NOV./27th/21	30mm CAGE SUPPORT			
APPROVAL	ZXU	NOV./27th/21	MATERIAL	WEIGHT	SCALE	REV
FOR INFORMATION ONLY NOT FOR MANUFACTURING PURPOSES			N/A	0.012 Kg	2:1	B