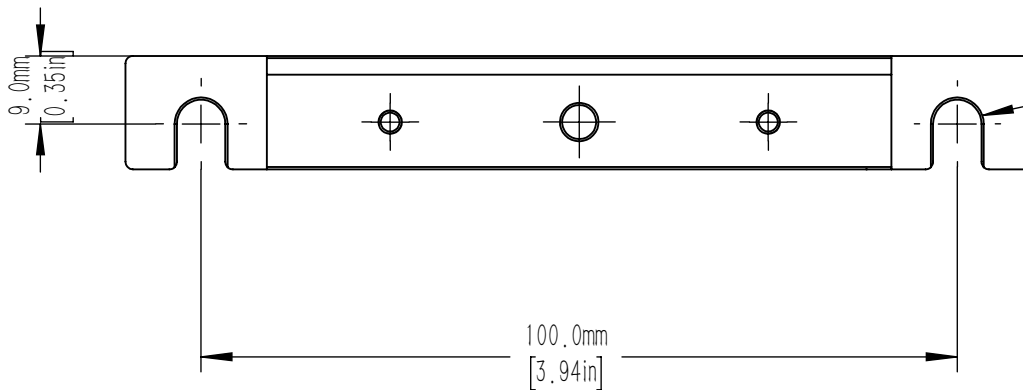
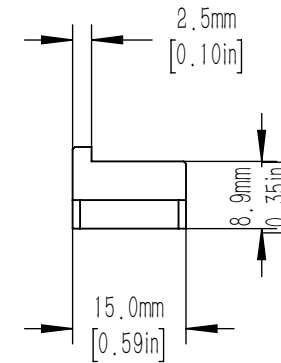
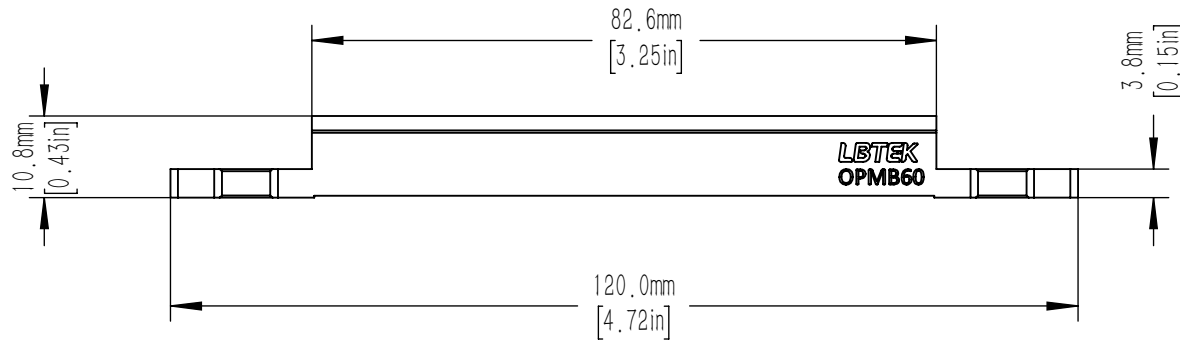
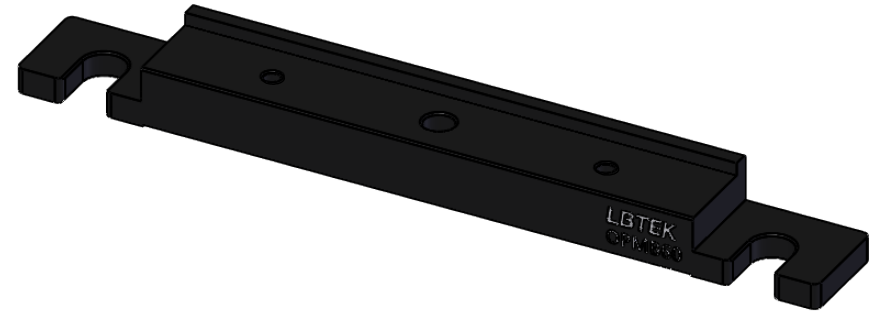
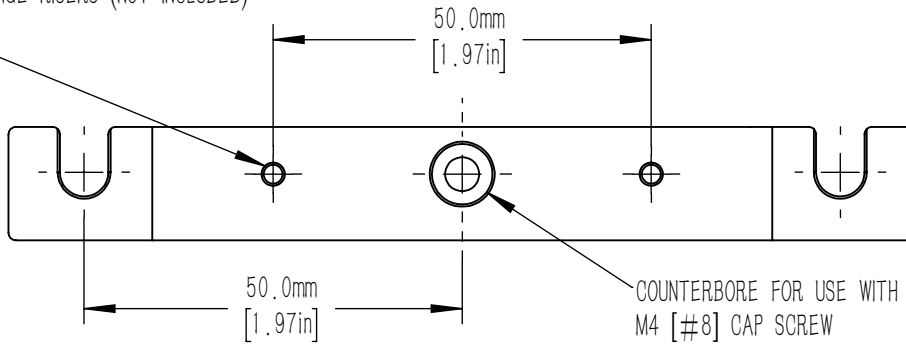


M3 x 0.5 MOUNTING HOLE
FOR USE WITH CAGE RISERS (NOT INCLUDED)
2 PLACE



COUNTERBORE SLOT FOR USE WITH
M6 [1/4in] CAP SCREW
2 PLACES

DRAWING PROJECTION			LBTEK			
	NAME	DATE				
DRAWN	SSO	MAY./8th/25	METRIC MOUNTING BASE 60.0mm CAGE PLATE			
APPROVAL	YLI	MAY./8th/25	MATERIAL	WEIGHT	SCALE	REV
FOR INFORMATION ONLY NOT FOR MANUFACTURING PURPOSES			N/A	0.034 Kg	1:1	A