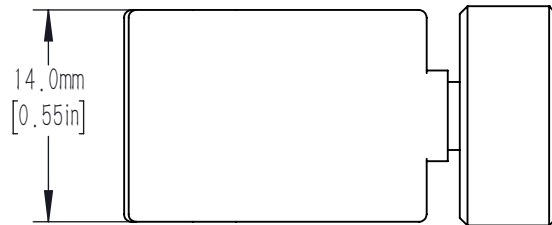
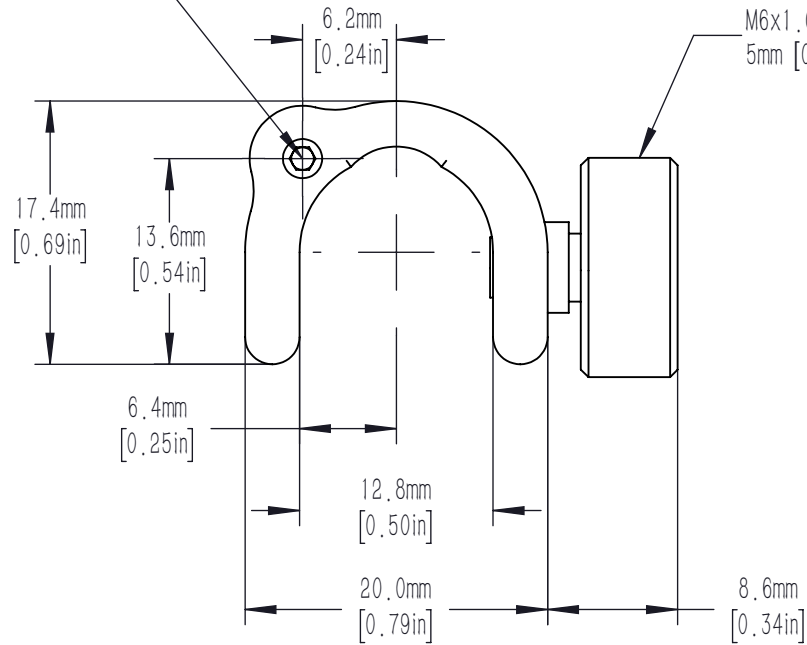


M3X0.5 VERTICAL ADJUSTMENT SCREW  
1.5mm [0.06in] HEX



DRAWING PROJECTION			<b>LBTEK</b>			
	NAME	DATE	OPRM-1			
DRAWN	ZYANG	JUN./25th/19	φ 12.7mm SLIP-ON POST COLLAR			
APPROVAL	LDAI	JUN./25th/19	MATERIAL	WEIGHT	SCALE	REV
FOR INFORMATION ONLY NOT FOR MANUFACTURING PURPOSES			N/A	0.16 Kg	2:1	B