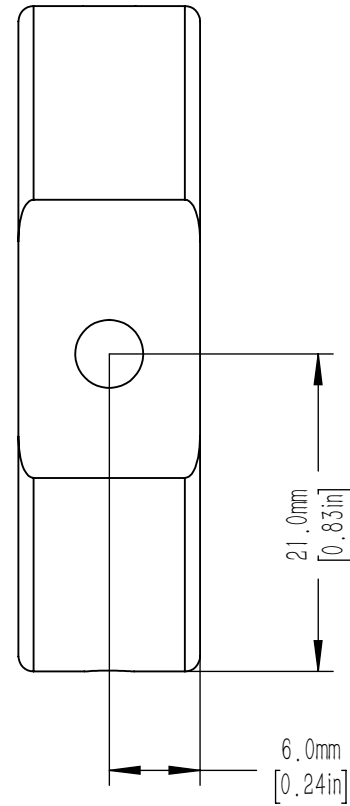
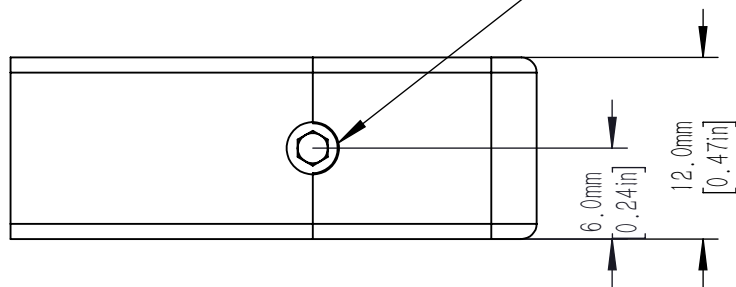


M4x0.7 LOCKING SET SCREW
2.0mm [0.08in] HEX



DRAWING PROJECTION			LBTEK			
	NAME	DATE	OPRMB-1			
DRAWN	KZH	AUG./11th/22	ROTATION AND HEIGHT MAINTAINING COLLAR			
APPROVAL	ZXU	AUG./11th/22	MATERIAL	WEIGHT	SCALE	REV
FOR INFORMATION ONLY NOT FOR MANUFACTURING PURPOSES			N/A	0.066 Kg	2:1	B