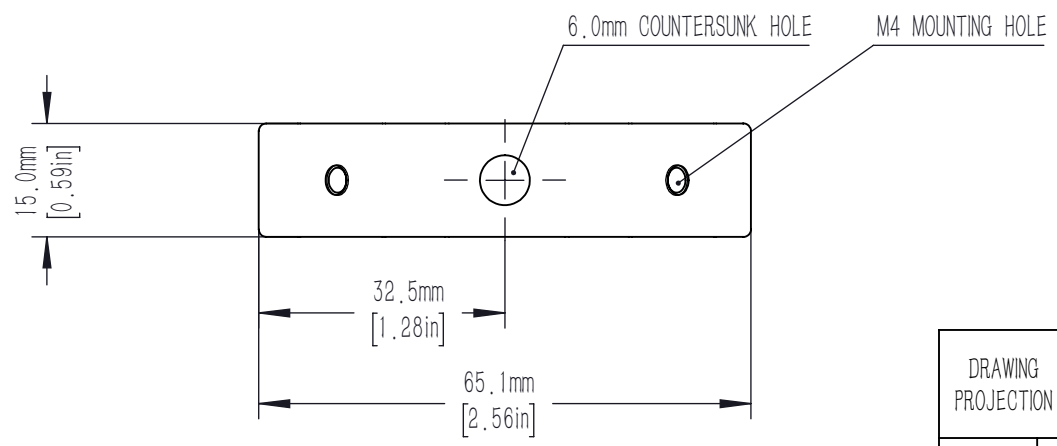
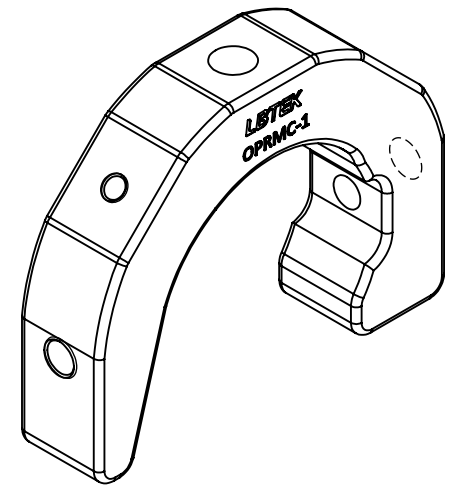
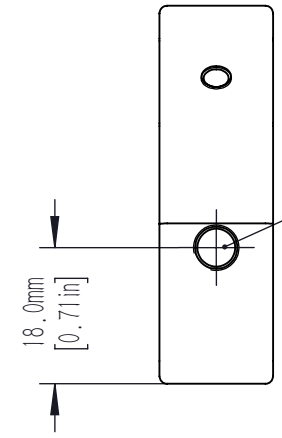
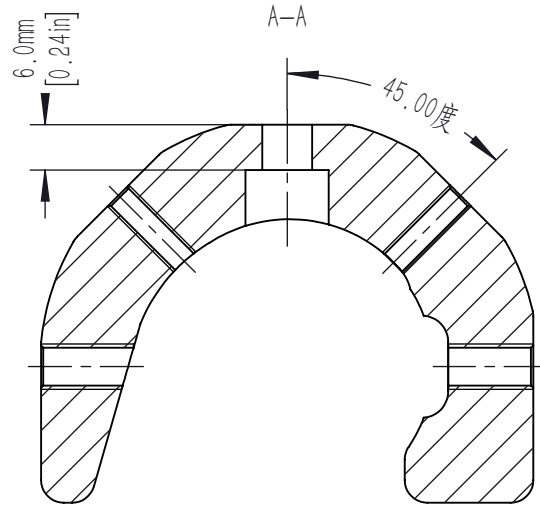


M6x1 LOCKING SET SCREW
5.0mm [0.19in] HEX



DRAWING PROJECTION			LBTEK			
	NAME	DATE				
DRAWN	ZZH	SEP./20th/23	38mm EXTENSION COLLAR			
APPROVAL	ZXU	SEP./20th/23	MATERIAL	WEIGHT	SCALE	REV
FOR INFORMATION ONLY NOT FOR MANUFACTURING PURPOSES			ALUMINIUM	0.05 Kg	1:1	B