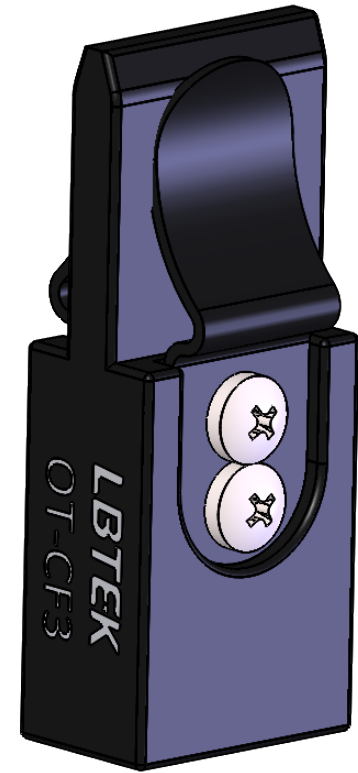
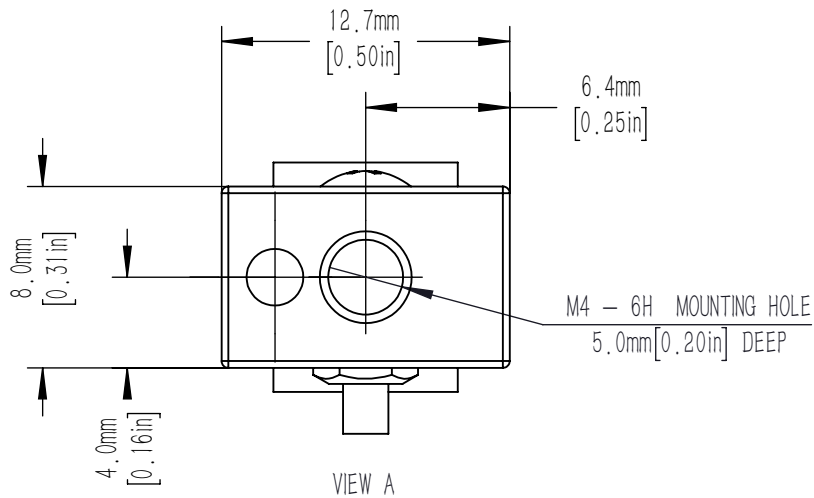
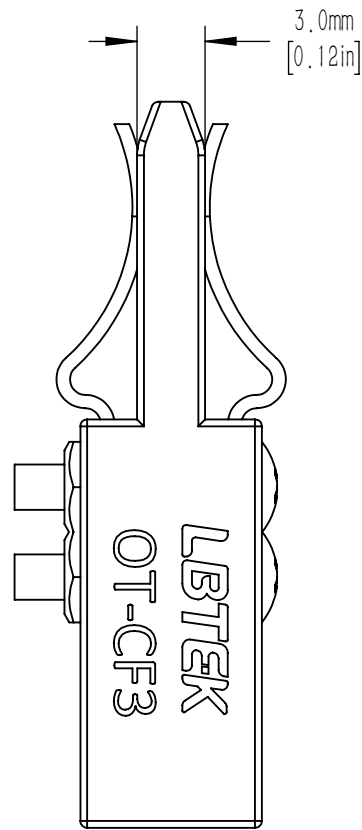


↑ A



DRAWING PROJECTION			LBTEK			
	NAME	DATE	OT-CF3			
DRAWN	HDE	Dec./1st/21	SMALL FILTER HOLDER			
APPROVAL	ZXU	Dec./1st/21	MATERIAL	WEIGHT	SCALE	REV
FOR INFORMATION ONLY NOT FOR MANUFACTURING PURPOSES			ALUMINUM	0.009 Kg	3:1	B