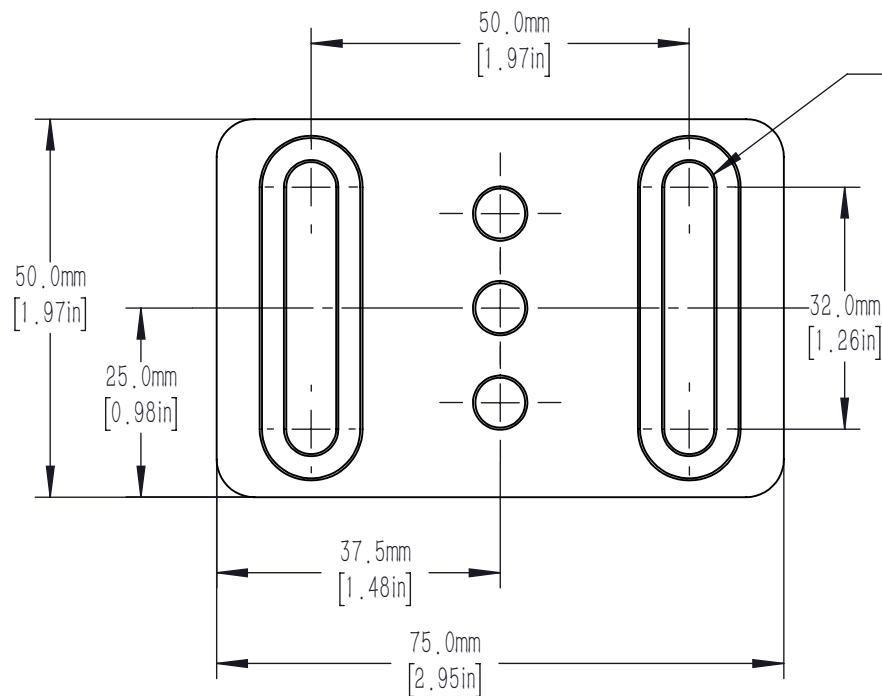
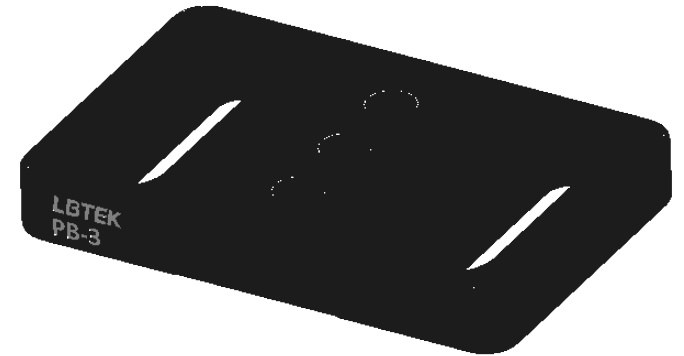


COUNTERBORE HOLE FOR USE WITH
M6X1.0 CAP SCREW
3 PLACES



COUNTER BORED SLOT FOR M6X1.0
SOCKET HEAD CAP SCREW WITH A
STANDARD WASHER
2 PLACES

DRAWING PROJECTION			LBTEK			
	NAME	DATE	PB-3			
DRAWN	ZHE	NOV./11th/19	MOUNTING BASE			
APPROVAL	ERIC	NOV./11th/19	MATERIAL	WEIGHT	SCALE	REV
FOR INFORMATION ONLY NOT FOR MANUFACTURING PURPOSES			ALUMINIUM	0.07 Kg	1:1	C