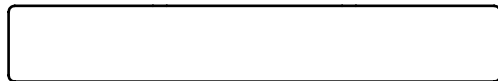
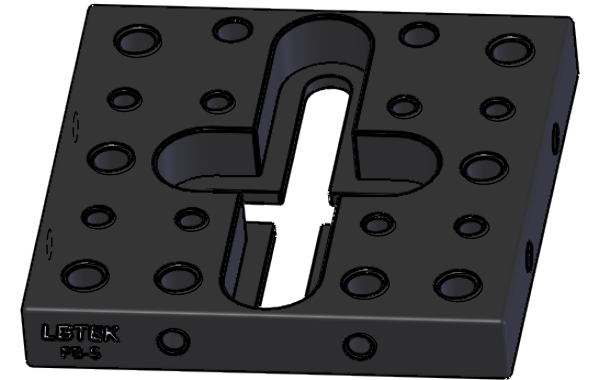
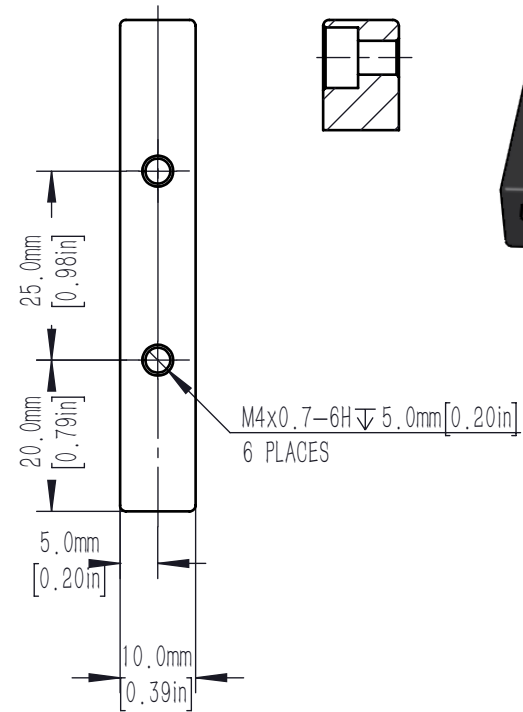
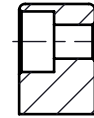


A-A



DRAWING PROJECTION			LBTEK			
	NAME	DATE	PB-5			
DRAWN	ZHE	OCT./10th/19	MOUNTING BASE			
APPROVAL	ERIC	OCT./10th/19	MATERIAL	WEIGHT	SCALE	REV
FOR INFORMATION ONLY NOT FOR MANUFACTURING PURPOSES			ALUMINUM	0.080 Kg	1:1	B