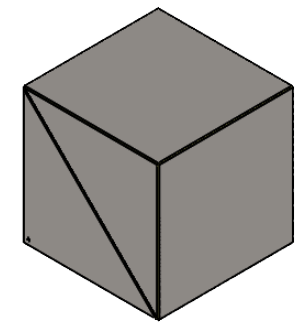
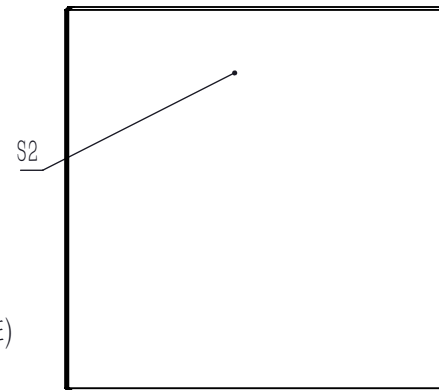
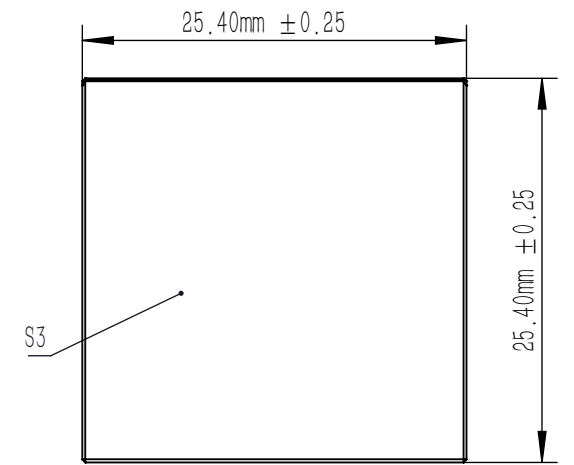
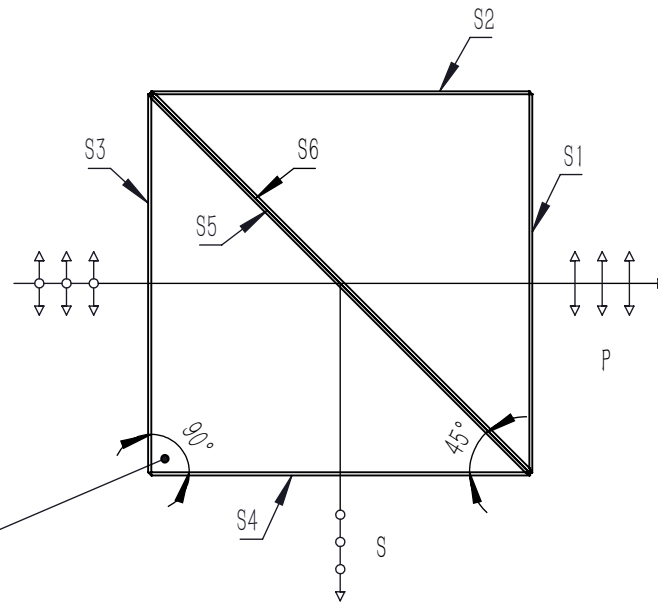


SPLITTING COATING(BEVEL FACE IN THE TRIANGULAR PRISM WITH DOT)



NOTES

1. CLEAR APERTURE: >80%CA
2. AR COATING(S1,S2,S3,S4):  $R_{avg} < 0.5\%$  @620 nm-1000 nm(6° AOI,SINGLE SURFACE)
3. DIAMETER TOLERANCE:  $\pm 0.25$  mm
4. ANGLE TOLERANCE:  $\pm 1'$
5. COATING(S5):  $T_p > 90\%$ ,  $R_{s,avg} > 95\%$
6. GLUED(S5,S6): NOA61
7. EXTINCTION RATIO( $T_p:T_s$ ): >1000:1
8. TRANSMITTED BEAM DEVIATION:  $0^\circ \pm 5$  arcmin
9. REFLECTED BEAM DEVIATION:  $90^\circ \pm 5$  arcmin
10. SURFACE QUALITY(S1,S2,S3,S4): 40/20(S/D)
11. WAVEFRONT ERROR(RMS):  $\lambda/4@633$  nm
12. SURFACE FLATNESS(S1,S2,S3,S4):  $\lambda/4@633$  nm
13. OTHER SURFACES: FINE GROUND
14. CHAMFER: <0.2 mm,45°

|  |        |              |  |        |       |     |
|--|--------|--------------|--|--------|-------|-----|
| DRAWING PROJECTION                                     |        |              | <b>LBTEK</b>   |        |       |     |
|  | NAME   | DATE         |  |        |       |     |
| DRAWN  | LTAN   | Aug./31st/25 | POLARIZATION BEAM SPLITTER<br>L=25.4 mm, $T_p:T_s > 1000:1@620$ nm-1000 nm |        |       |     |
| APPROVAL   | WCHENG | Aug./31st/25 | MATERIAL   | WEIGHT | SCALE | REV |
| FOR INFORMATION ONLY<br>NOT FOR MANUFACTURING PURPOSES |        |              | N-SF1  | 49.6 g | 2:1   | B   |