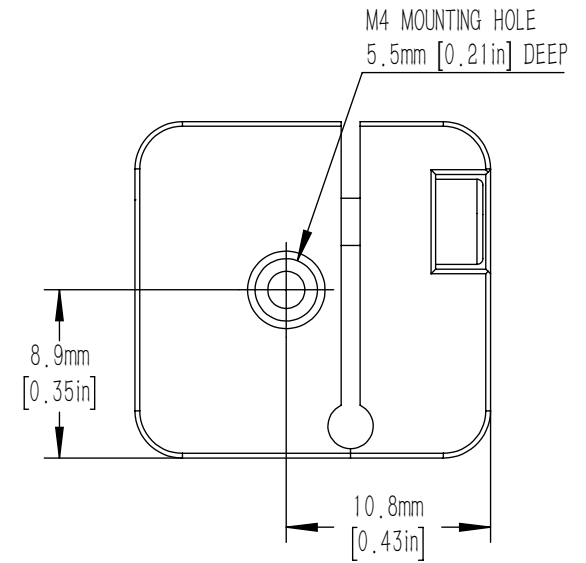
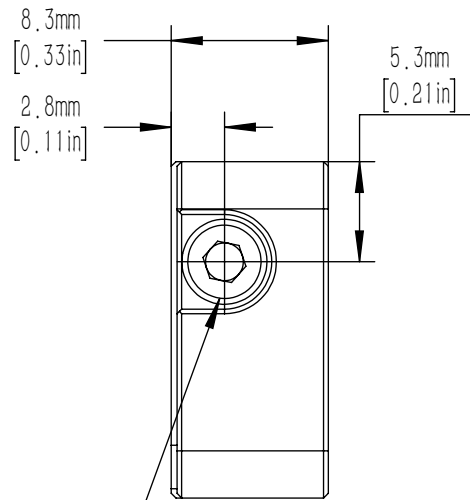
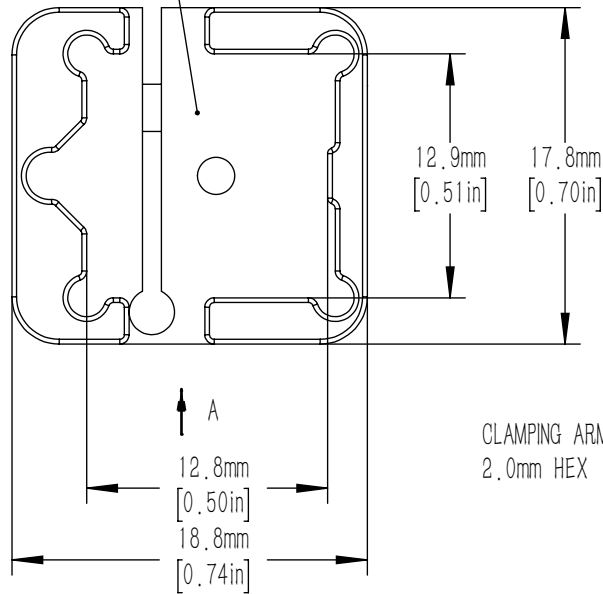
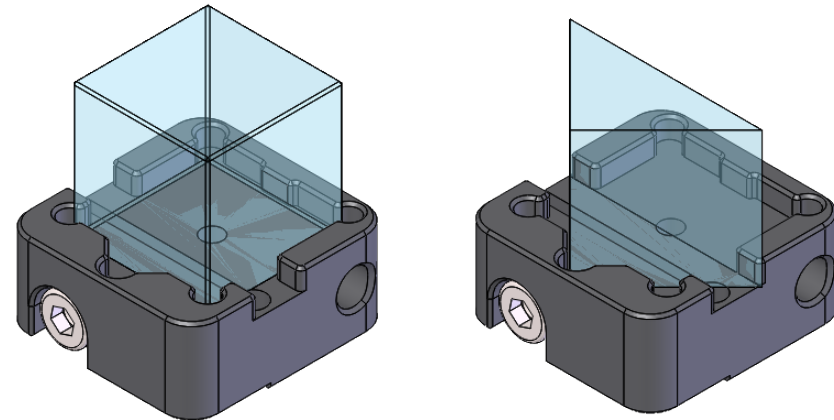


CLAMPING POCKET ACCOMMODATES
 12.7mm [0.50in] CUBES AND
 12.7mm [0.50in] RIGHT-ANGLE PRISMS

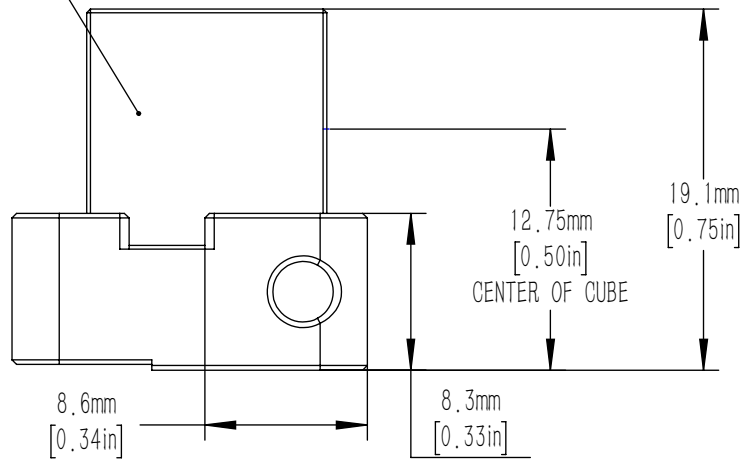


CLAMPING ARM LOCK
 2.0mm HEX



12.7mm [0.50in]
 BEAM SPLITTER CUBE
 (NOT INCLUDED)

VIEW A



OPTICS SHOWN ARE NOT INCLUDED

DRAWING PROJECTION			LBTEK			
	NAME	DATE	PCMS05			
DRAWN	HDE	SEP./9th/22	1/2" BEAMSPLITTER CUBE MOUNTING PLATFORM			
APPROVAL	ZXU	SEP./9th/22	MATERIAL	WEIGHT	SCALE	REV
FOR INFORMATION ONLY NOT FOR MANUFACTURING PURPOSES			ALUMINUM	0.014 Kg	5:2	B