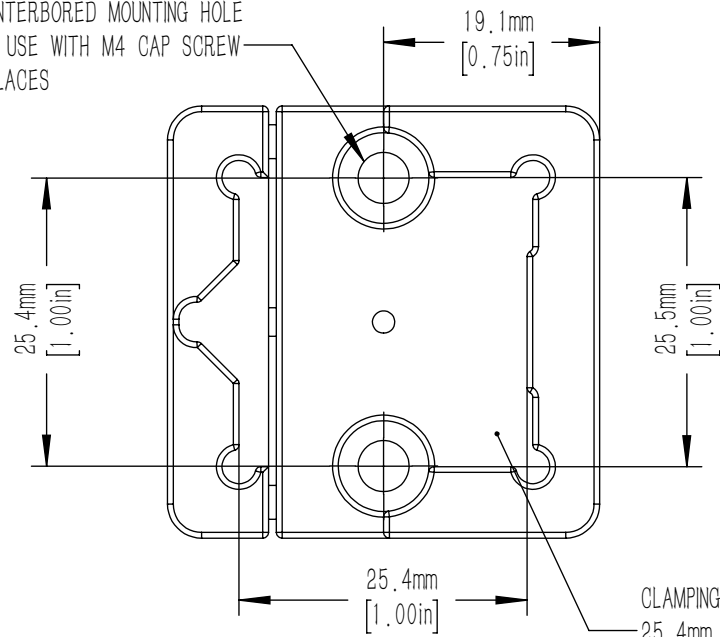
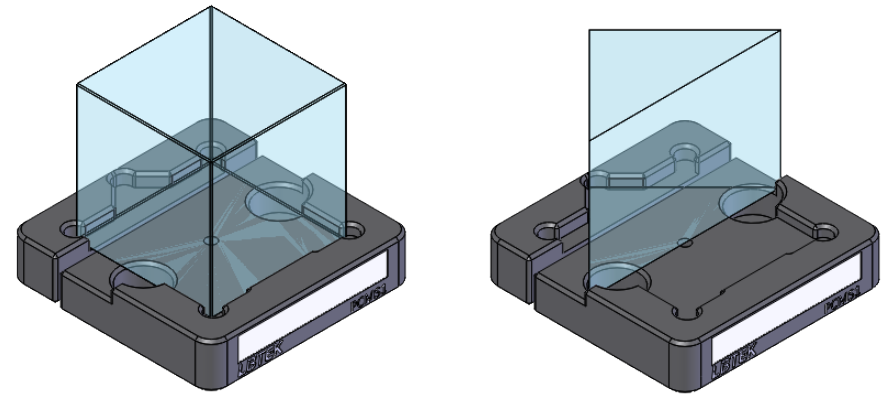
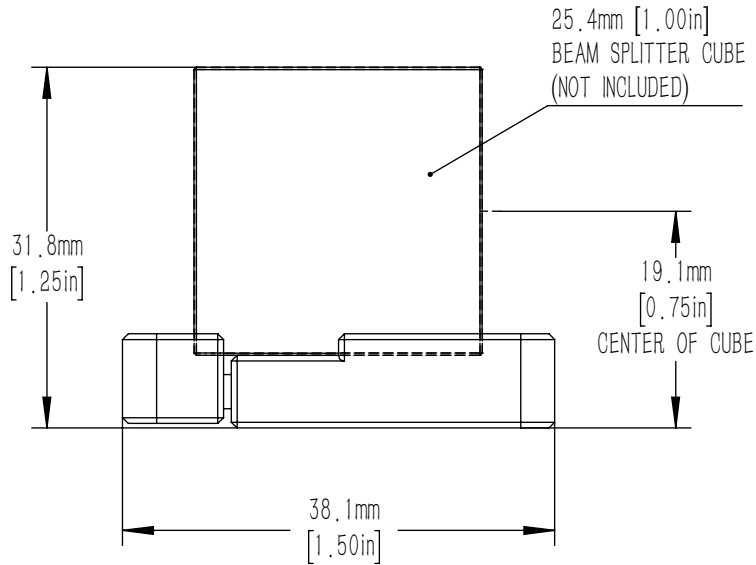
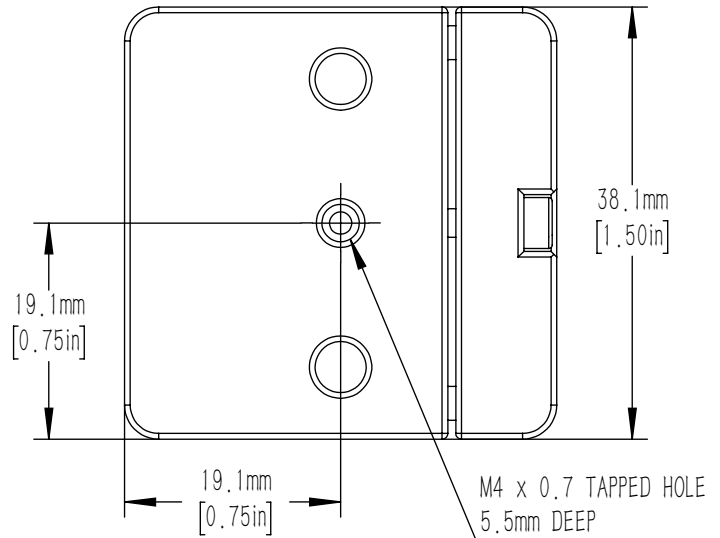
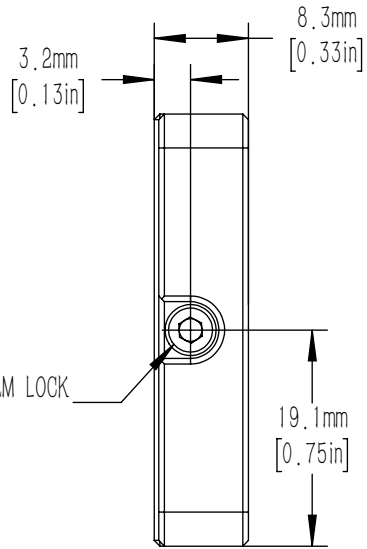


COUNTERBORED MOUNTING HOLE
FOR USE WITH M4 CAP SCREW
2 PLACES



CLAMPING POCKET ACCOMMODATES
25.4mm [1.00in] CUBES AND
25.4mm [1.00in] RIGHT-ANGLE PRISMS

↑ A
VIEW A



OPTICS SHOWN NOT INCLUDED

DRAWING PROJECTION							
NAME	DATE	PCMS1					
DRAWN	HDE	SEP./9th/22	1" BEAM SPLITTER CUBE MOUNTING PLATFORM				
APPROVAL	ZXU	SEP./9th/22	MATERIAL	WEIGHT	SCALE	REV	
FOR INFORMATION ONLY NOT FOR MANUFACTURING PURPOSES			ALUMINUM	0.092 Kg	3:2	B	