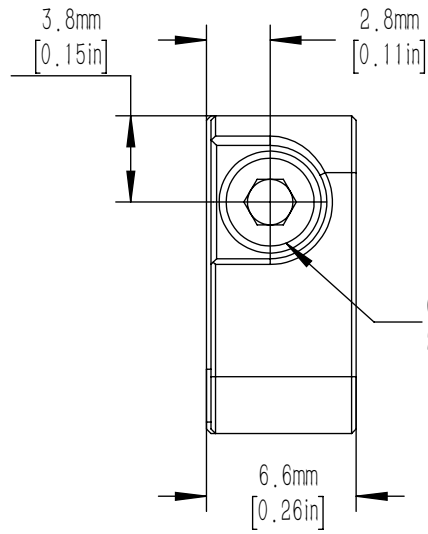
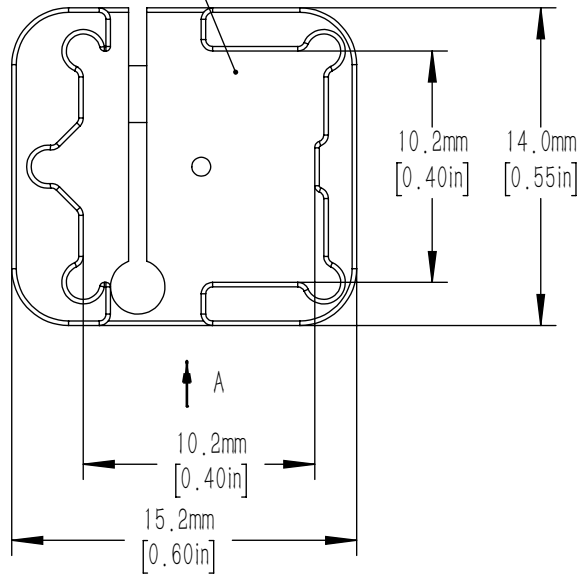
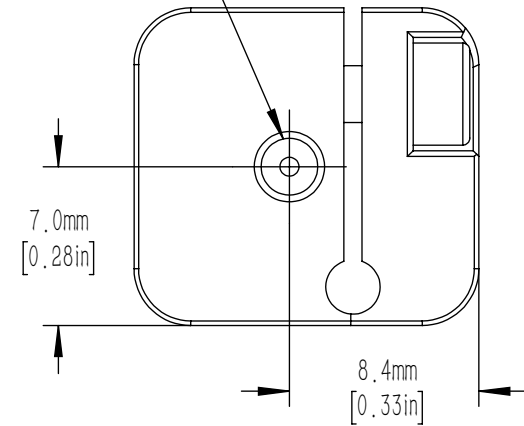


CLAMPING POCKET ACCOMMODATES
 10.0mm [0.39in] CUBES AND
 10.0mm [0.39in] RIGHT ANGLE PRISMS

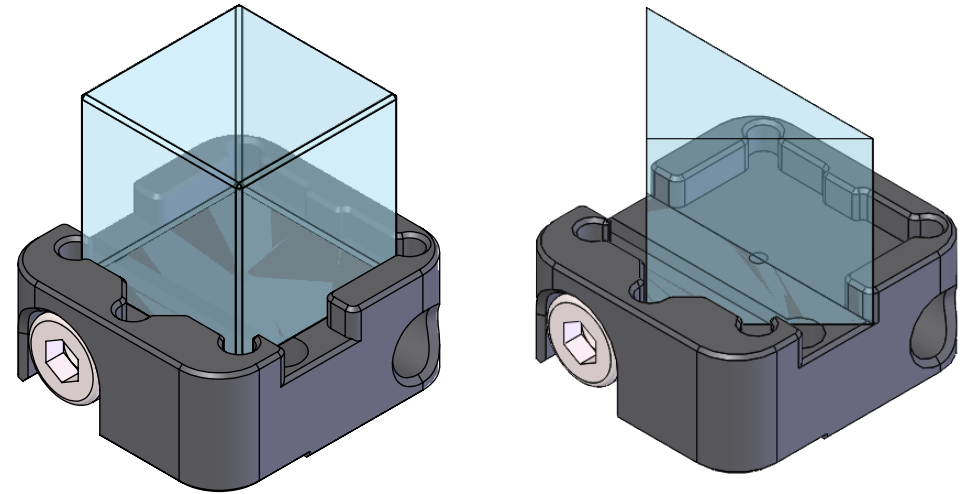
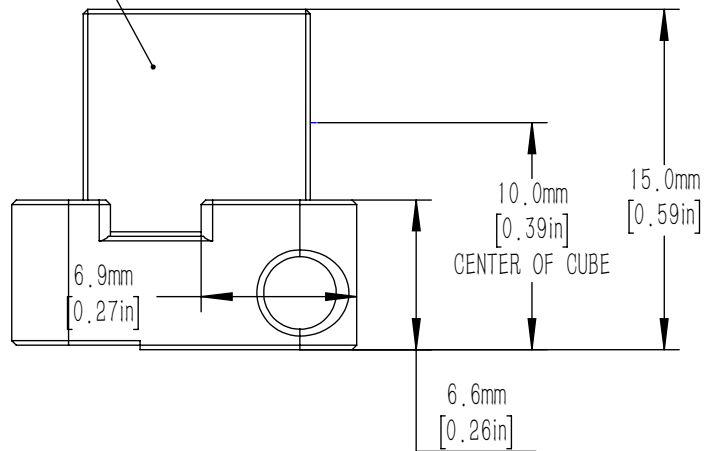


M3 MOUNTING HOLE
 4.0mm [0.16in] DEEP



10.0mm [0.39in]
 BEAM SPLITTER CUBE
 (NOT INCLUDED)

VIEW A



OPTICS SHOWN ARE NOT INCLUDED

DRAWING PROJECTION			LBTEK			
	NAME	DATE	PCMS10			
DRAWN	HDE	SEP./9th/22	10.0mm BEAMSPLITTER CUBE MOUNTING PLATFORM			
APPROVAL	ZXU	SEP./9th/22	MATERIAL	WEIGHT	SCALE	REV
FOR INFORMATION ONLY NOT FOR MANUFACTURING PURPOSES			ALUMINUM	0.007 Kg	3:1	B