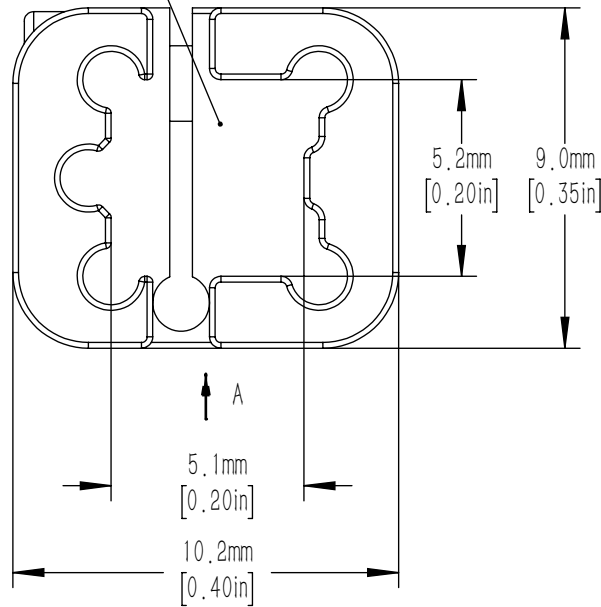
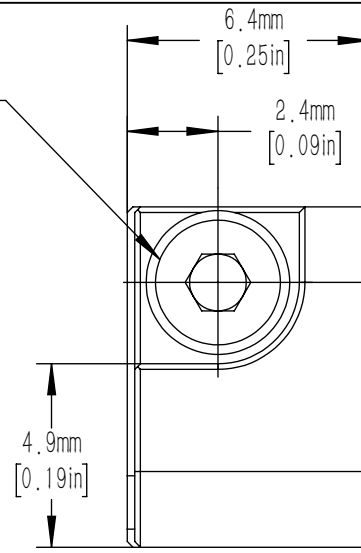


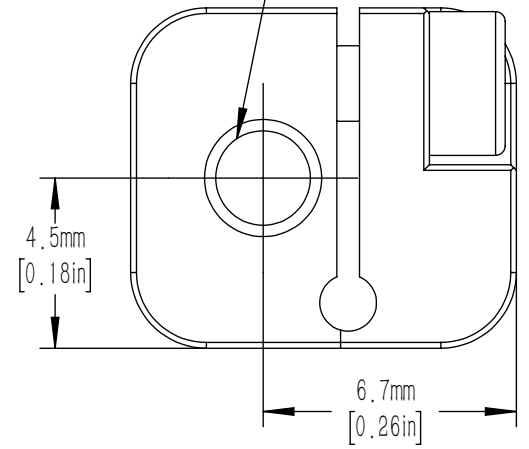
CLAMPING POCKET ACCOMMODATES
5.0mm [0.20in] CUBES AND
5.0mm [0.20in] RIGHT ANGLE PRISMS



CLAMPING ARM LOCK
2.0mm HEX

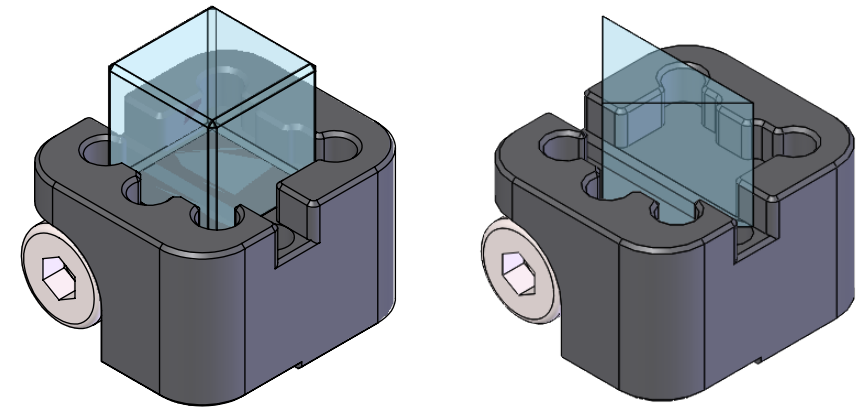
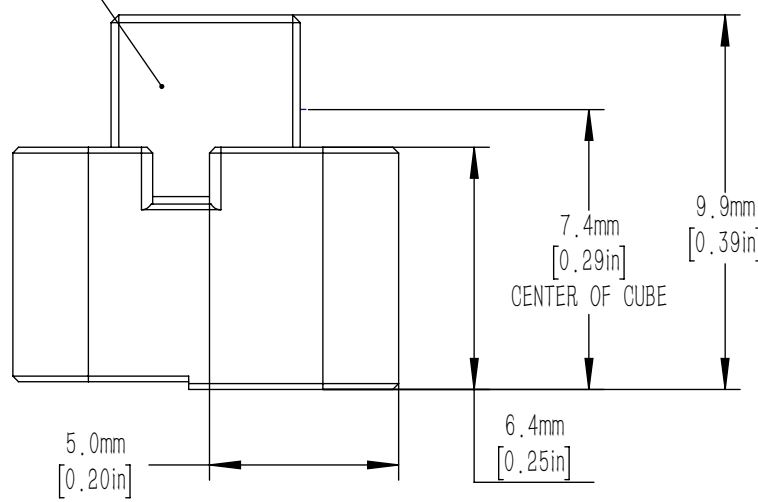


M3 MOUNTING HOLE
3.5mm [0.14in] DEEP



5.0mm [0.20in]
BEAM SPLITTER CUBE
(NOT INCLUDED)

VIEW A



OPTICS SHOWN ARE NOT INCLUDED

DRAWING PROJECTION			LBTEK			
NAME	DATE	PCMS5				
DRAWN	HDE	SEP./9th/22	5.0mm BEAMSPLITTER CUBE MOUNTING PLATFORM			
APPROVAL	ZXU	SEP./9th/22	MATERIAL	WEIGHT	SCALE	REV
FOR INFORMATION ONLY NOT FOR MANUFACTURING PURPOSES			ALUMINUM	0.002 Kg	5:1	B