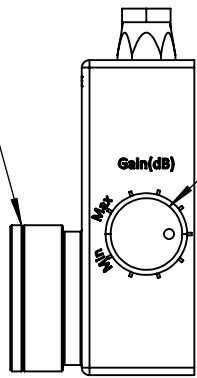
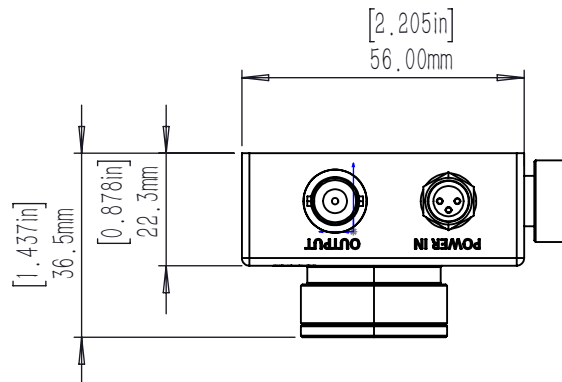
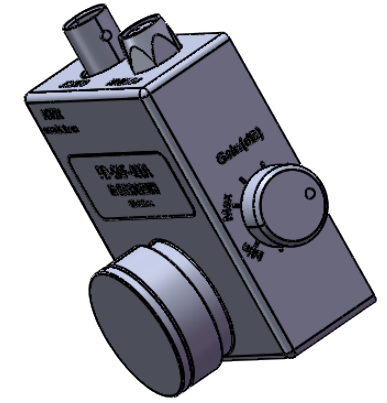
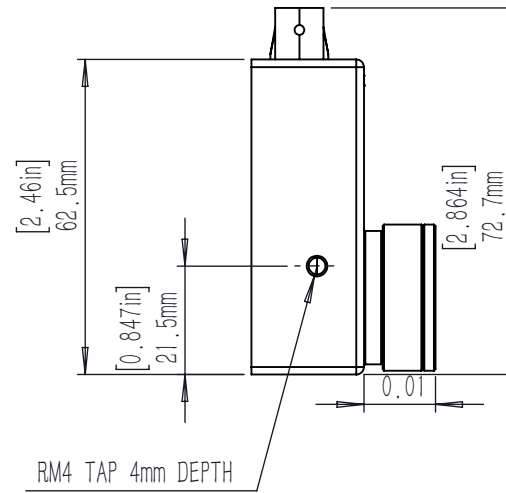
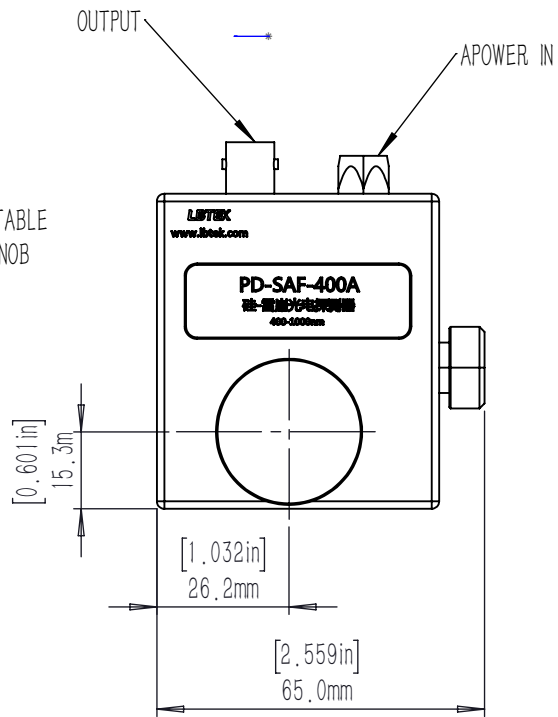


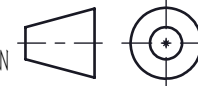
ILICON PHOTODETECTOR
LEN BARREL END CAP



ADJUSTABLE
GAIN KNOB



DRAWING
PROJECTION



LBTEK

	NAME	DATE	PD-SAF-400A			
DRAWN	SSO	Aug./26th/24	ILICON-AVALANCHE PHOTODETECTOR			
APPROVAL	ZXU	Aug./26th/24	MATERIAL	WEIGHT	SCALE	REV
FOR INFORMATION ONLY NOT FOR MANUFACTURING PURPOSES			N/A	0.045Kg	2:3	B