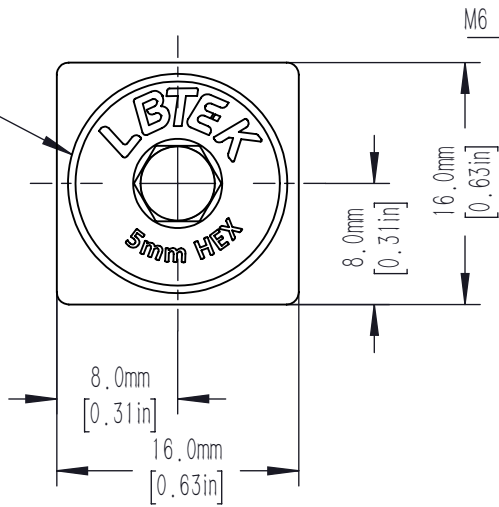
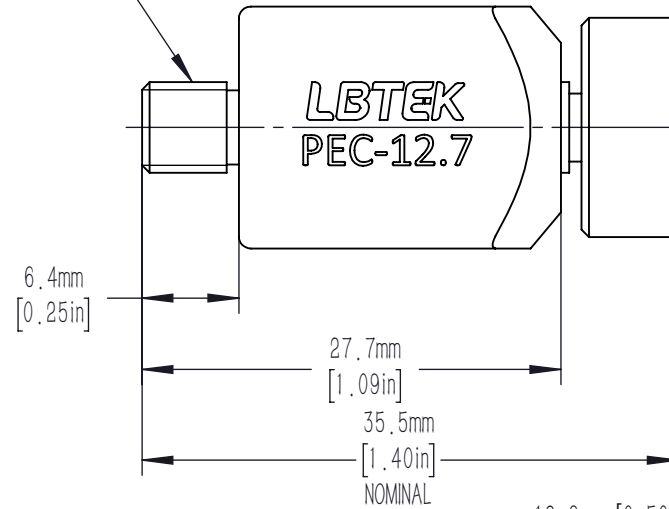


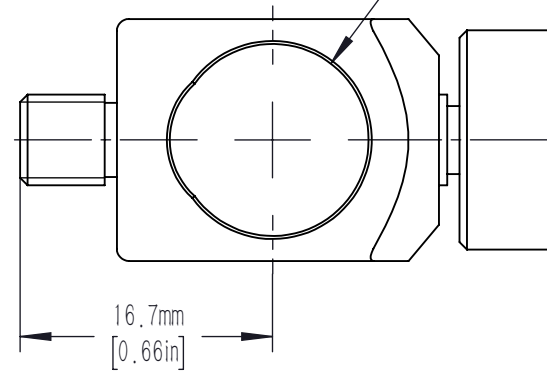
14.5mm [0.57in] KNURLED THUMBSCREW
FOR SECURING OF OP SERIES POSTS
5.0mm [0.20in] HEX



M6 X 1.0 MOUNTING STUD



12.8mm [0.50in] ACCEPTS
STANDARD OP SERIES POSTS



DRAWING PROJECTION			LBTEK			
	NAME	DATE				
DRAWN	BJU	APR./28th/22	POST END CLAMP			
APPROVAL	ZXU	APR./28th/22	MATERIAL	WEIGHT	SCALE	REV
FOR INFORMATION ONLY NOT FOR MANUFACTURING PURPOSES			ALUMINUM	0.017 Kg	2:1	B