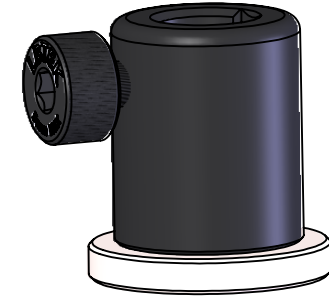
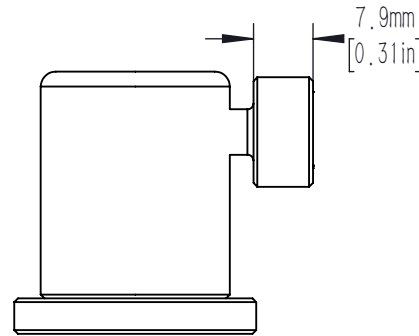
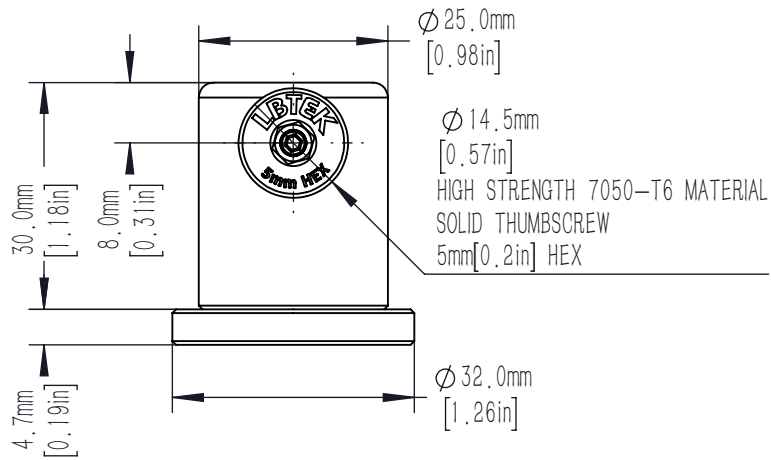
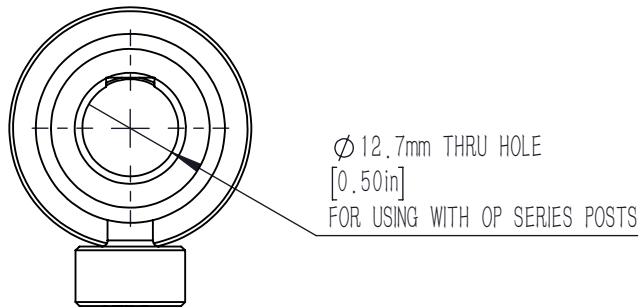


MAGNET



3D VIEW IS SHOWN AS PH-30B



DRAWING PROJECTION			LBTEK			
NAME	DATE	PH-30B				
DRAWN	PCH	Mar./11th/25	LONG POST HOLDER			
APPROVAL	YLI	Mar./11th/25	MATERIAL	WEIGHT	SCALE	REV
FOR INFORMATION ONLY NOT FOR MANUFACTURING PURPOSES			N/A	0.103 Kg	1:1	A