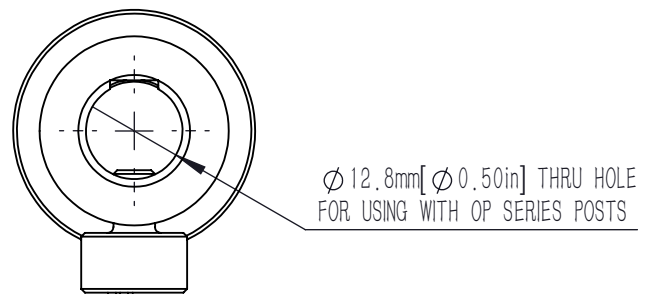


3D VIEW IS SHOWN AS PH-75B.



No.	ITEM	A LENGTH /mm[in]	WEIGHT/ kg
1	PH-25B	25[0.98]	0.05
2	PH-40B	40[1.57]	0.07
3	PH-50B	50[1.97]	0.08
4	PH-75B	75[2.95]	0.10
5	PH-100B	100[3.94]	0.13
6	PH-150B	150[5.91]	0.17

DRAWING PROJECTION			<b>LBTEK</b>			
	NAME	DATE	PH-**B			
DRAWN	CZH	DEC./04th/20	PEDESTAL POST HOLDER			
APPROVAL	YCH	DEC./04th/20	MATERIAL	WEIGHT	SCALE	REV
FOR INFORMATION ONLY NOT FOR MANUFACTURING PURPOSES			N/A	** Kg	1:1	C