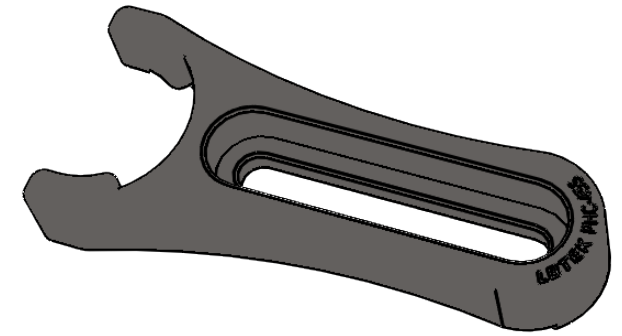
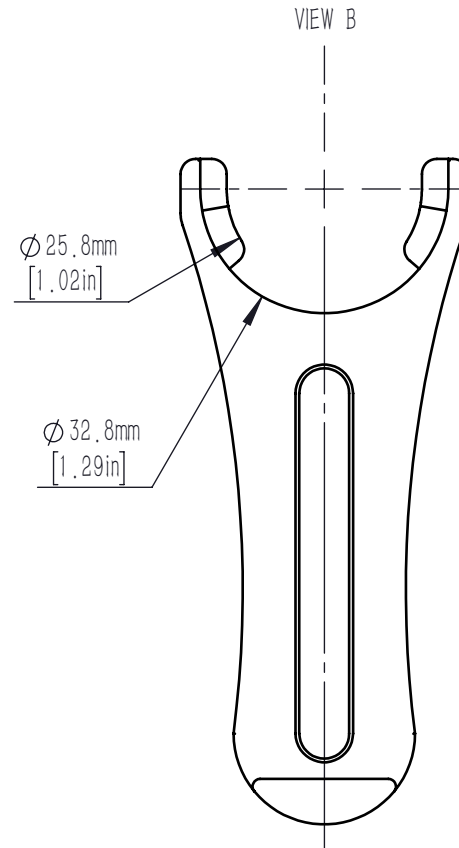
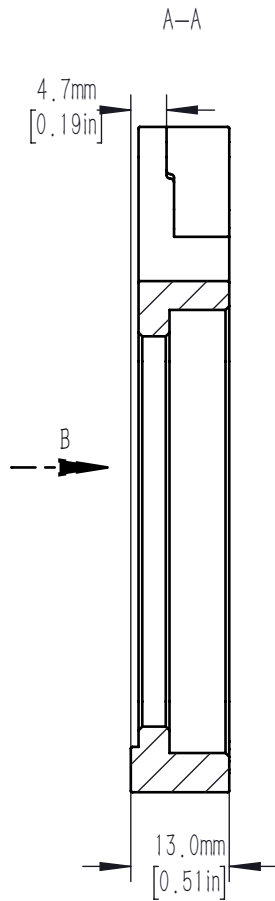


COUNTERBORED SLOT
FOR USE WITH M6X1.0
CAP SCREW AND WASHER.



DRAWING PROJECTION			LBTEK			
	NAME	DATE				
DRAWN	CZH	DEC./24th/20	COMPACT CLAMPING FORK			
APPROVAL	YCH	DEC./24th/20	MATERIAL	WEIGHT	SCALE	REV
FOR INFORMATION ONLY NOT FOR MANUFACTURING PURPOSES			STAINLESS	0.11 Kg	1:1	B