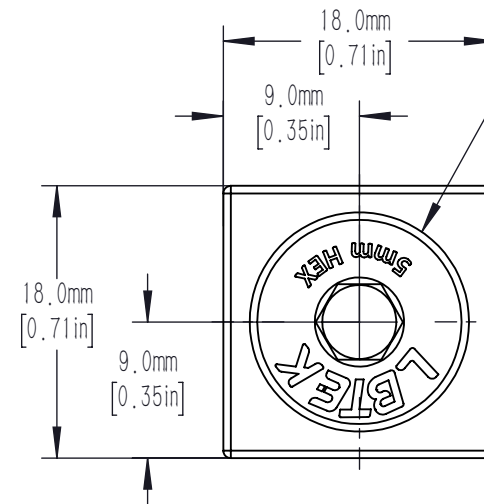
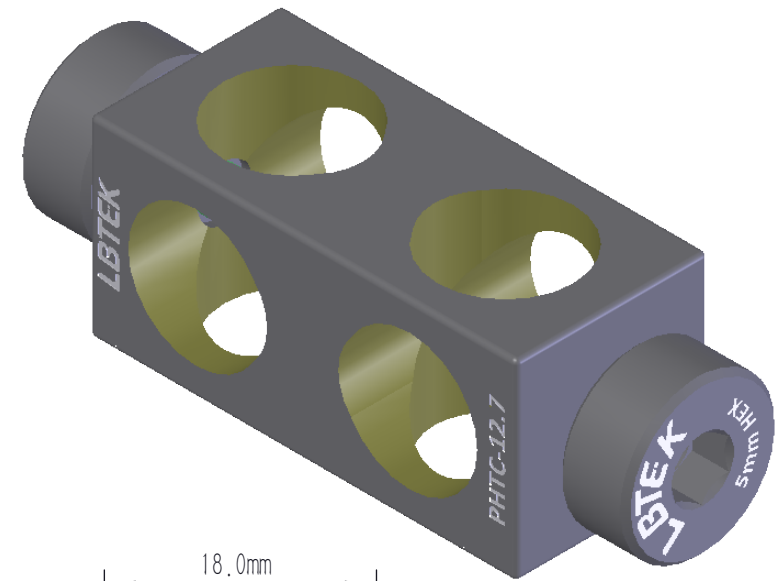
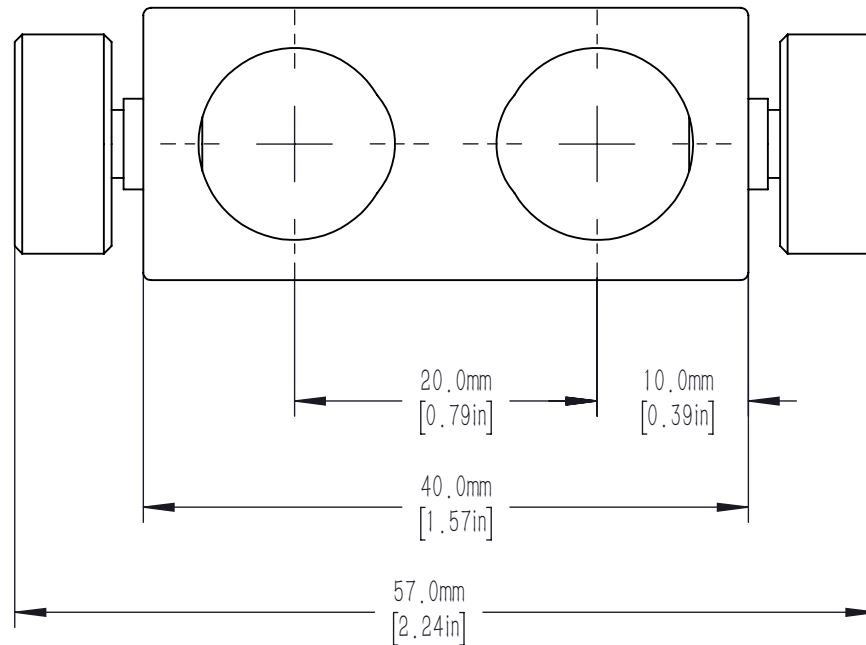
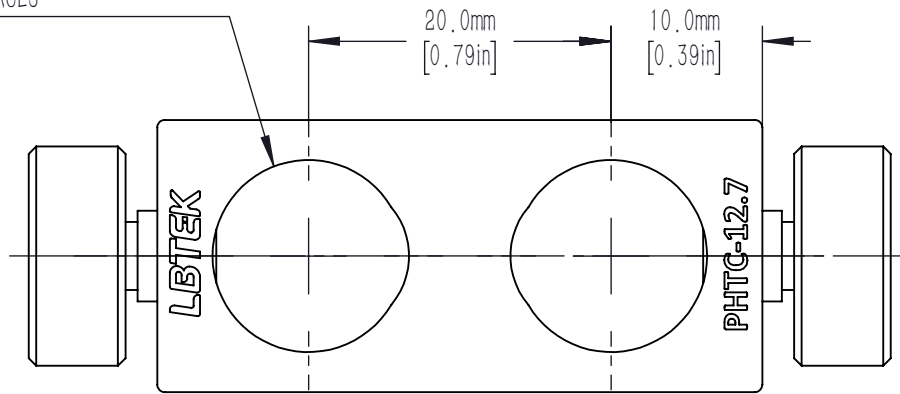


Ø 12.8mm [0.50in] ACCEPTS  
STANDARD OP SERIES POSTS  
4 PLACES



Ø 14.5mm [0.57in] KNURLED THUMBSCREW  
FOR SECURING OF OP SERIES POSTS  
5.0mm [0.20in] HEX  
BOTH SIDES

DRAWING PROJECTION			<b>LBTEK</b>			
NAME	DATE	PHTC-12.7				
DRAWN	YCH	NOV./26th/19	TWO-WAY ANGLE POST CLAMP			
APPROVAL	ZHE	NOV./26th/19	MATERIAL	WEIGHT	SCALE	REV
FOR INFORMATION ONLY NOT FOR MANUFACTURING PURPOSES			N/A	0.034 Kg	2:1	B