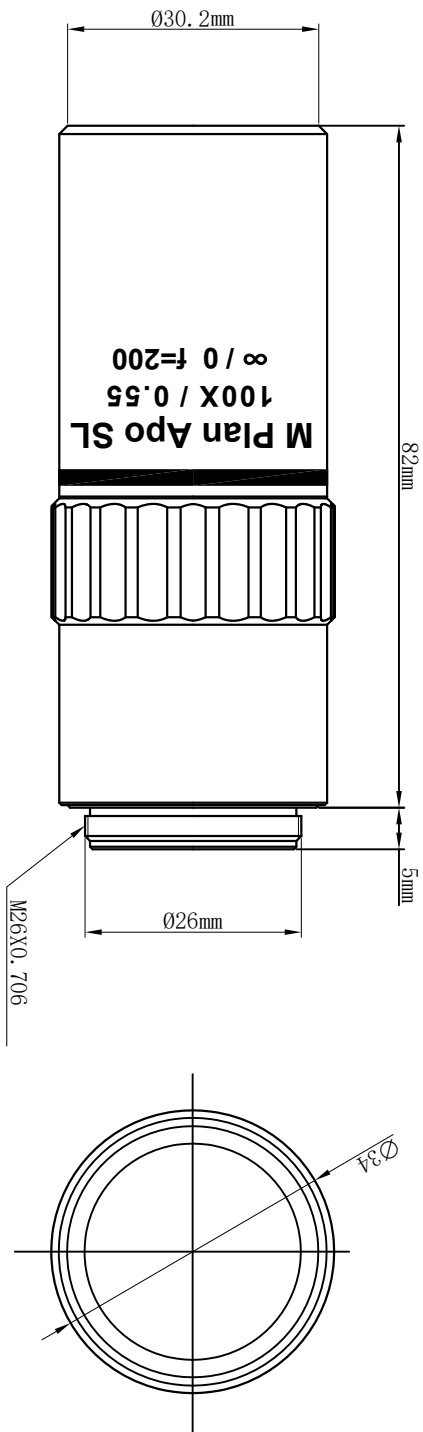


PARFOCAL DISTANCE	95mm
WORKING DISTANCE	13mm



DRAWING PROJECTION				 <a href="http://www.lbtek.com">www.lbtek.com</a>			
DRAWING				PLAN APOCHROMATIC OBJECTIVE			
NAME	DATE	PLNAP0100XSL		MATERIAL	WEIGHT	SCALE	REV
MZHANG	20220301			N/A	302.3g	2:1	ZA
APPROVAL	RZHAO	20220301	FOR INFORMATION ONLY NOT FOR MANUFACTURING PURPOSES				