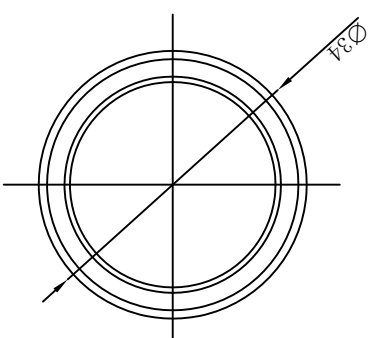
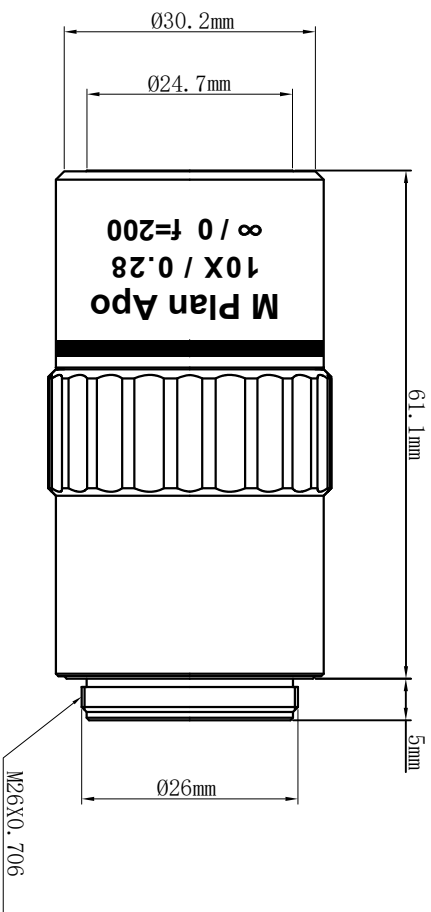
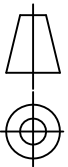
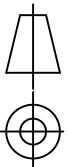
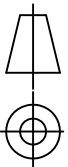
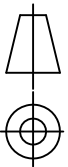
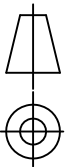
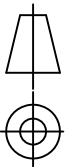
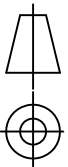
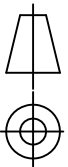
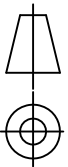
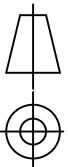


PARFOCAL DISTANCE	95mm
WORKING DISTANCE	33.9mm



DRAWING PROJECTION											
DRAWING PROJECTION											
NAME	DATE	PLAN APOCHROMATIC OBJECTIVE									
MZhang	20220301	www.lbtek.com									
APPROVAL	RZHAO	20220301	MATERIAL								
FOR INFORMATION ONLY			N/A								
NOT FOR MANUFACTURING PURPOSES			WEIGHT								
			217.2g								
			SCALE								
			2:1								
			REV								
			ZA								