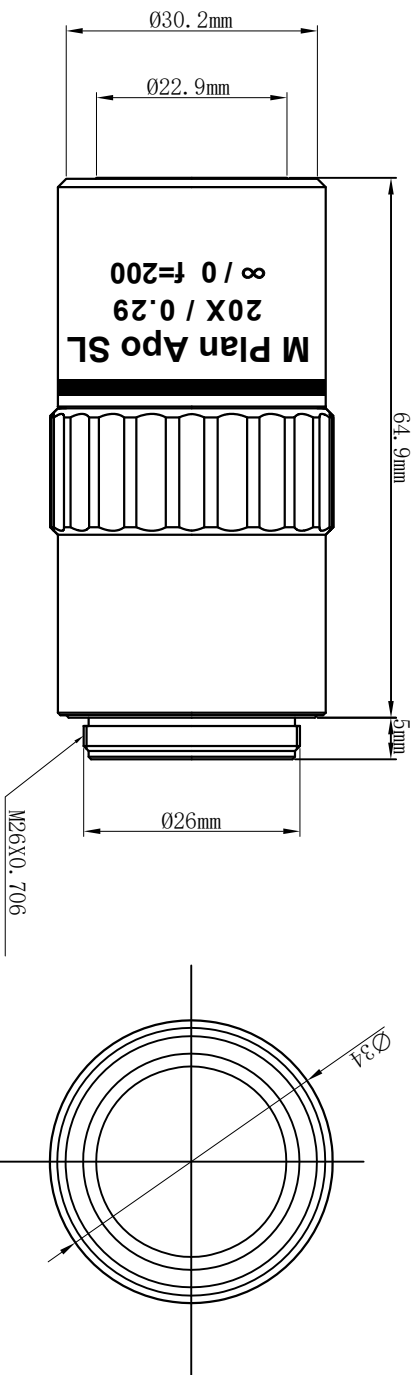


PARFOCAL DISTANCE	95mm
WORKING DISTANCE	30.1mm



DRAWING PROJECTION				 www.lbtek.com	
DRAWING PROJECTION					
NAME	DATE	PLAN APOCHROMATIC OBJECTIVE			
MZHAO	20220301	PLNAP020SL			
DRAWN	MZHAO	MATERIAL			
20220301	RZHAO	WEIGHT			
20220301	20220301	SCALE			
APPROVAL		REV			
FOR INFORMATION ONLY		N/A			
NOT FOR MANUFACTURING PURPOSES		236.4g			
		2:1			
		ZA			