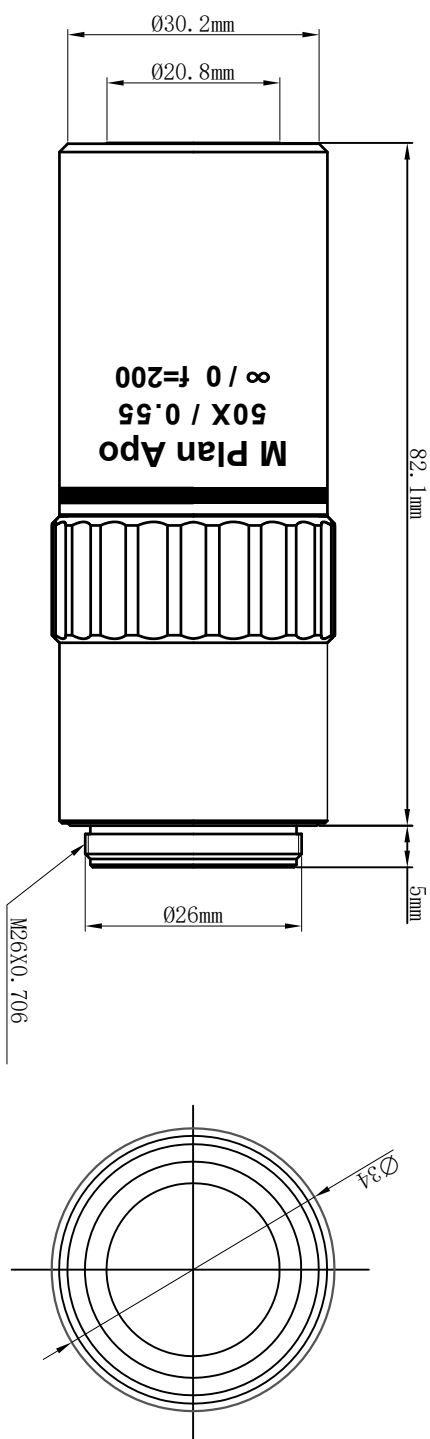


PARFOCAL DISTANCE	95mm
WORKING DISTANCE	12.9mm



DRAWING PROJECTION				 <a href="http://www.lbtek.com">www.lbtek.com</a>	
DRAWING PROJECTION					
NAME	DATE	PLAN APOCHROMATIC OBJECTIVE			
MZHANG	20220301	PLNAP050X			
DRAWN		MATERIAL	WEIGHT	SCALE	REV
RZHAO	20220301	N/A	298.2g	2:1	ZA
APPROVAL		FOR INFORMATION ONLY			
NOT FOR MANUFACTURING PURPOSES					