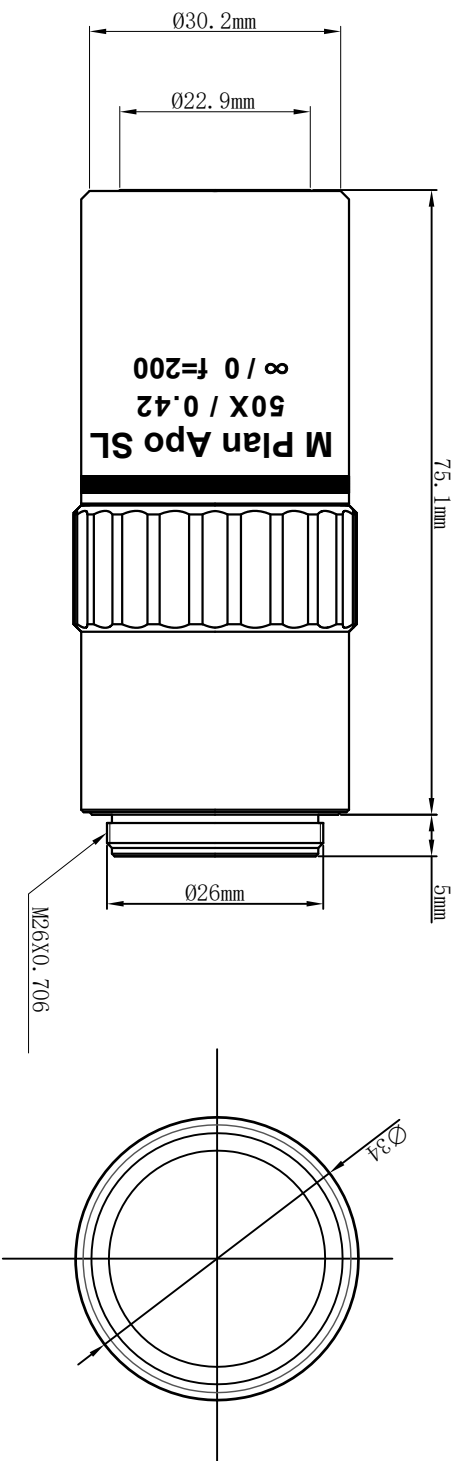


PARFOCAL DISTANCE	95mm
WORKING DISTANCE	19.9mm



DRAWING PROJECTION				 www.lbtek.com	
DRAWING PROJECTION					
NAME	DATE	PLAN APOCHROMATIC OBJECTIVE			
MZHAO	20220301	PLNAP050XSL			
DRAWN	MZHAO	MATERIAL			
RZHAO	20220301	N/A			
APPROVAL	RZHAO	WEIGHT	SCALE	REV	
FOR INFORMATION ONLY		285.6g	2:1	ZA	
NOT FOR MANUFACTURING PURPOSES					