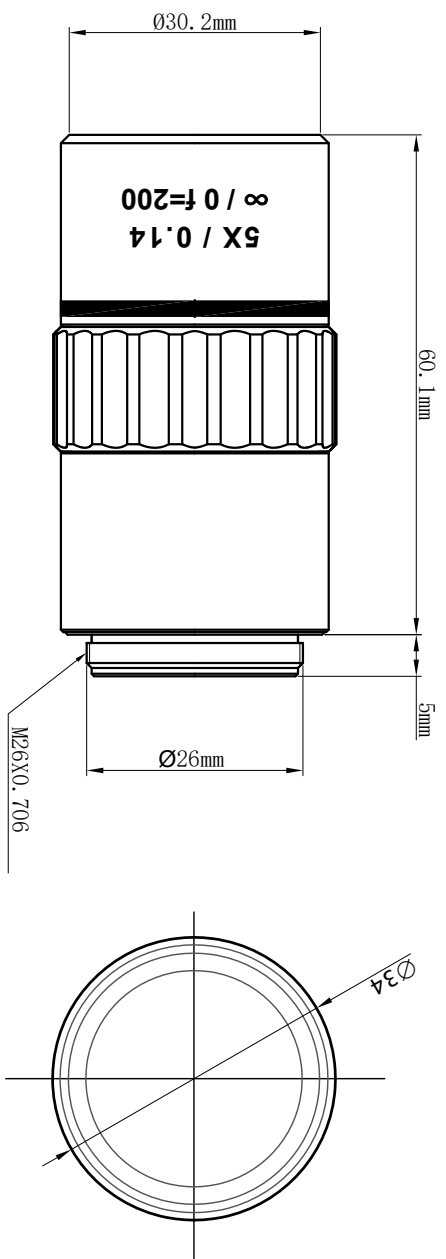
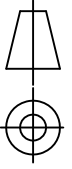



PARFOCAL DISTANCE	95mm
WORKING DISTANCE	34.9mm



DRAWING PROJECTION					
DRAWING		NAME		DATE	
DRAWN		MZHANG		20220301	
APPROVAL		RZHAO		20220301	
FOR INFORMATION ONLY NOT FOR MANUFACTURING PURPOSES		MATERIAL		WEIGHT	
		N/A		212.2g	
		SCALE		REV	
		2:1		ZA	
		PLAN APOCHROMATIC OBJECTIVE			
		PLNAP05X			
		www.lbtek.com			