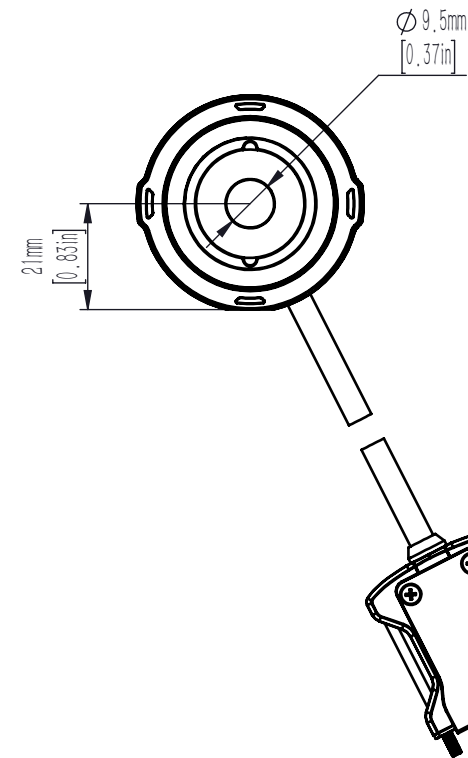
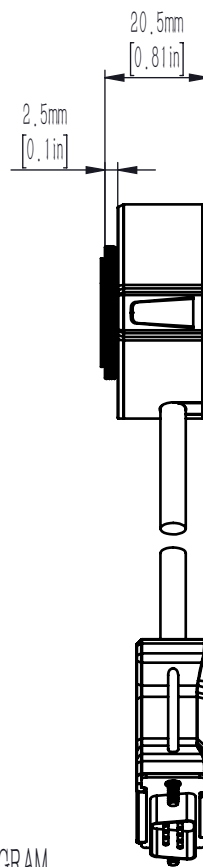
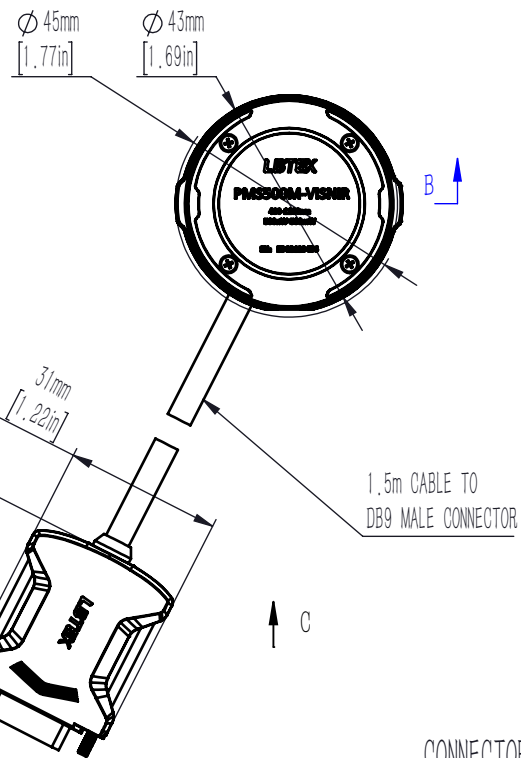
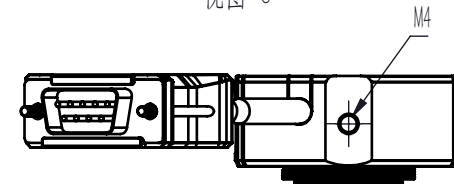


视图 C



CONNECTOR PIN DIAGRAM

1	N.C.
2	NTC
3	NTC GND
4	COM1
5	COM2
6	COM GND
7	N.C.
8	COM3
9	COM4

DRAWING PROJECTION			<b>LBTEK</b>			
	NAME	DATE	PHOTODIODE POWER METER SENSOR			
DRAWN	WPI	Jan. /22th/25				
APPROVAL	JWU	Jan. /22th/25	MATERIAL	WEIGHT	SCALE	REV
FOR INFORMATION ONLY NOT FOR MANUFACTURING PURPOSES			N/A	0.11 Kg	1:1.5	B