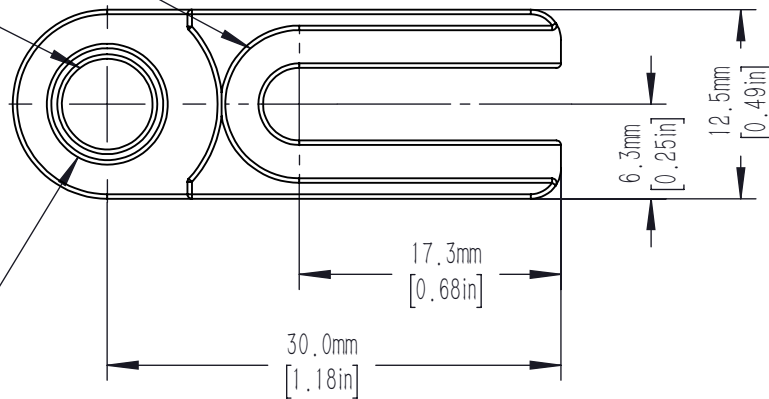


COUNTERBORED SLOT  
FOR USE WITH M4 CAP SCREW  
AND WASHER (NOT INCLUDED)

Ø6mm [0.24in] THRU HOLE

M8 x 0.5 THREAD COMPATIBLE WITH  
Ø6mm FLEXIBLE POST HOLDERS  
(NOT INCLUDED)



DRAWING PROJECTION			<b>LBTEK</b>			
	NAME	DATE	PRA1			
DRAWN	ZLI	DEC./16th/23	MINI SERIES MOUNTING BASE			
APPROVAL	HDE	DEC./16th/23	MATERIAL	WEIGHT	SCALE	REV
FOR INFORMATION ONLY NOT FOR MANUFACTURING PURPOSES			N/A	0.004 Kg	2:1	B