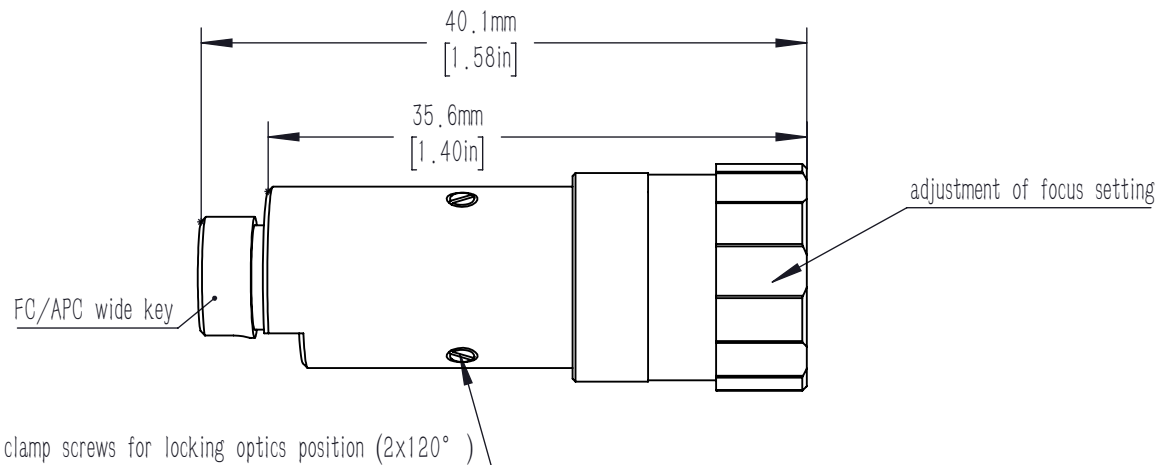
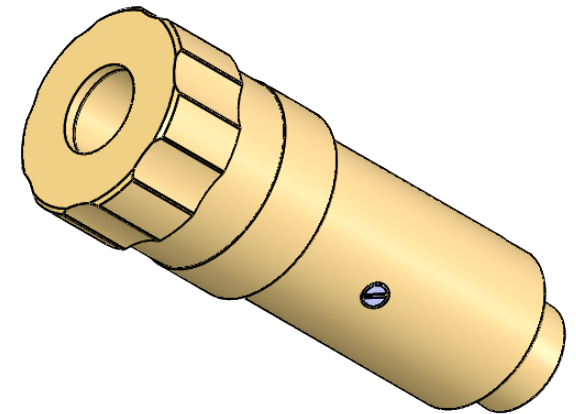
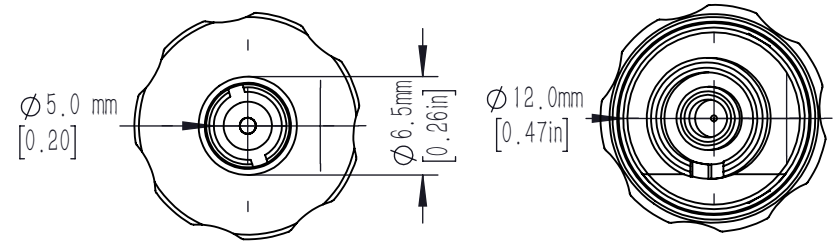


Pin screw for additional locking of the fiber ferrule.



notes.

- 1.focal length: 11 mm
- 2.Waist beam spot diameter: 2.03 mm@ 515 nm 460HP
- 3.Interface type: FC/APC
- 4.Lens type: Aspheric lens
- 5.Collimation divergence angle: $\leq 0.025^\circ$
- 6.Lens coating: $R_{\text{avg}} \leq 0.5\% @ 350 - 700\text{nm}$

DRAWING PROJECTION							
	NAME	DATE	PRACFCD-11-A-APC				
DRAWN	BSHU	2026/2/4	FIBER COLLIMATOR				
APPROVAL	WCHENG	2026/2/4	MATERIAL	WEIGHT	SCALE	REV	
FOR INFORMATION ONLY NOT FOR MANUFACTURING PURPOSES			Silicon brass	29 g	2:1	A	