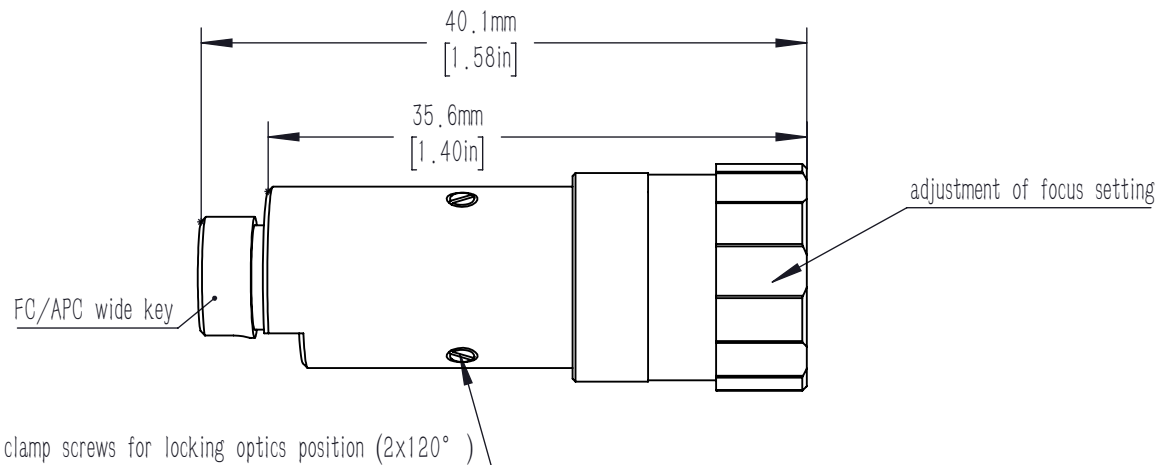
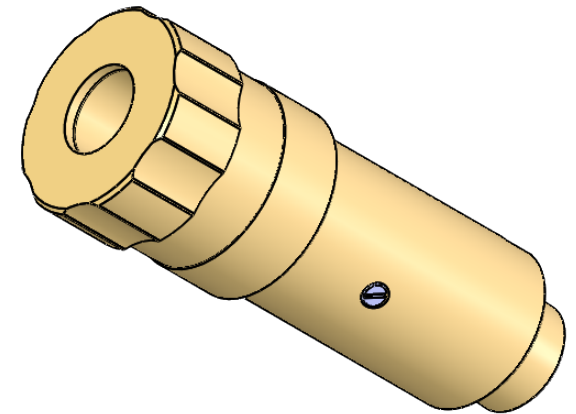
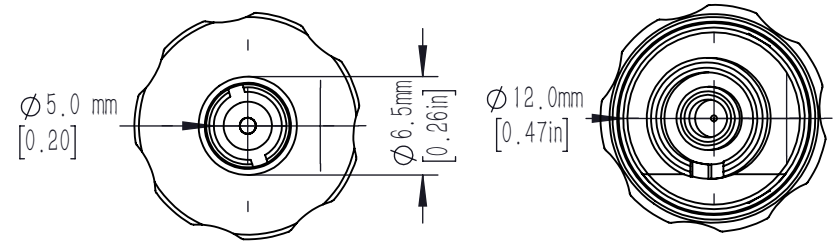


Pin screw for additional locking of the fiber ferrule.



clamp screws for locking optics position (2x120°)

notes.

1. focal length: 11 mm
2. Waist beam spot diameter: 2.32 mm@ 850 nm 780HP
3. Interface type: FC/APC
4. Lens type: Aspheric lens
5. Collimation divergence angle: $\leq 0.031^\circ$
6. Lens coating: $R_{avg} \leq 0.5\% @ 600 - 1050 \text{ nm}$

DRAWING PROJECTION			LBTEK			
	NAME	DATE				
DRAWN	BSHU	2026/2/4	FIBER COLLIMATOR			
APPROVAL	WCHENG	2026/2/4	MATERIAL	WEIGHT	SCALE	REV
FOR INFORMATION ONLY NOT FOR MANUFACTURING PURPOSES			Silicon brass	29 g	2:1	A