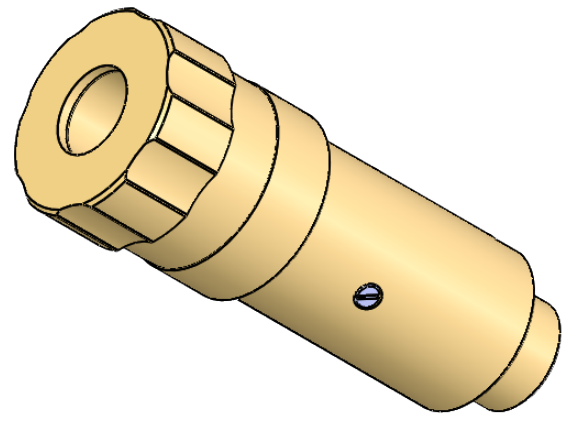
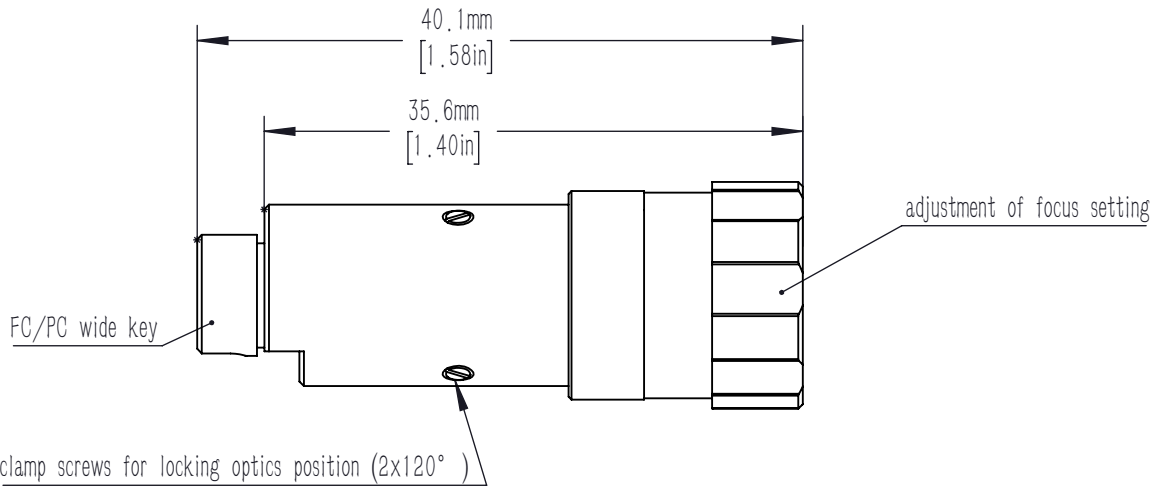
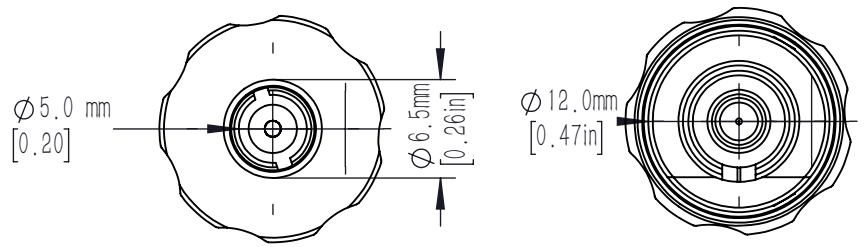


Pin screw for additional locking of the fiber ferrule.



- notes,
- 1.focal length: 11 mm
 - 2.Waist beam spot diameter: 2.32 mm@ 850 nm 780HP
 - 3.Interface type: FC/PC
 - 4.Lens type: Aspheric lens
 - 5.Collimation divergence angle: $\leq 0.031^\circ$
 - 6.Lens coating: $R_{avg} \leq 0.5\% @ 600 - 1050 \text{ nm}$

| | | | | | | |
|--|--------|----------|------------------|--------|-------|-----|
| DRAWING PROJECTION | | | LBTEK | | | |
| | NAME | DATE | | | | |
| DRAWN | BSHU | 2026/2/4 | FIBER COLLIMATOR | | | |
| APPROVAL | WCHENG | 2026/2/4 | MATERIAL | WEIGHT | SCALE | REV |
| FOR INFORMATION ONLY NOT FOR MANUFACTURING PURPOSES | | | Silicon brass | 29 g | 2:1 | A |