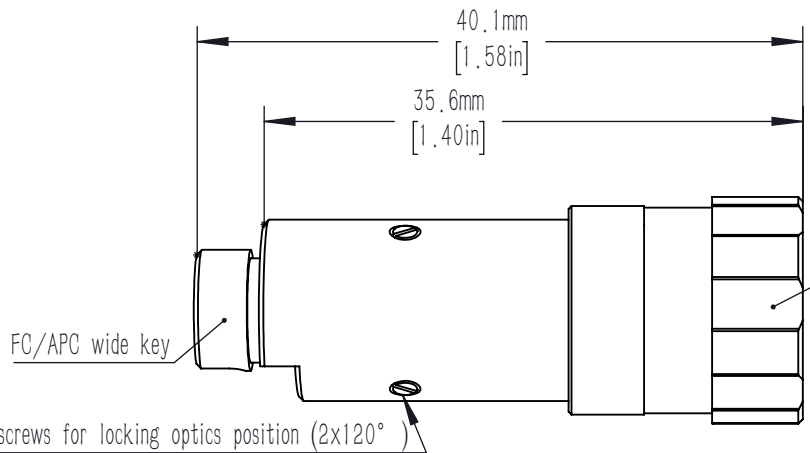
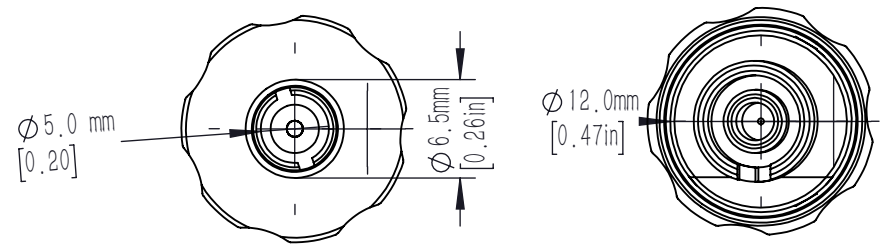


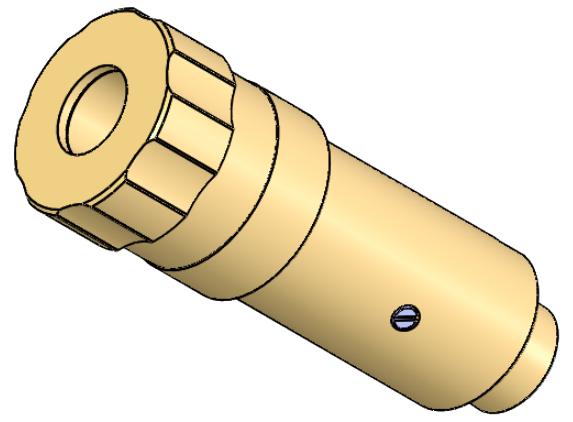
Pin screw for additional locking of the fiber ferrule.



adjustment of focus setting

FC/APC wide key

clamp screws for locking optics position (2x120°)



notes.

1. focal length: 4.5 mm
2. Waist beam spot diameter: 0.822 mm@ 515 nm 460HP
3. Interface type: FC/APC
4. Lens type: Aspheric lens
5. Collimation divergence angle: $\leq 0.05^\circ$
6. Lens coating: $R_{\text{avg}} \leq 0.5\% @ 350 - 700 \text{ nm}$

DRAWING PROJECTION				LBTEK			
	NAME	DATE	PRACFCD-4.5-A-APC				
DRAWN	BSHU	2026/2/4	FIBER COLLIMATOR				
APPROVAL	WCHENG	2026/2/4	MATERIAL	WEIGHT	SCALE	REV	
FOR INFORMATION ONLY NOT FOR MANUFACTURING PURPOSES			Silicon brass	29 g	2:1	A	