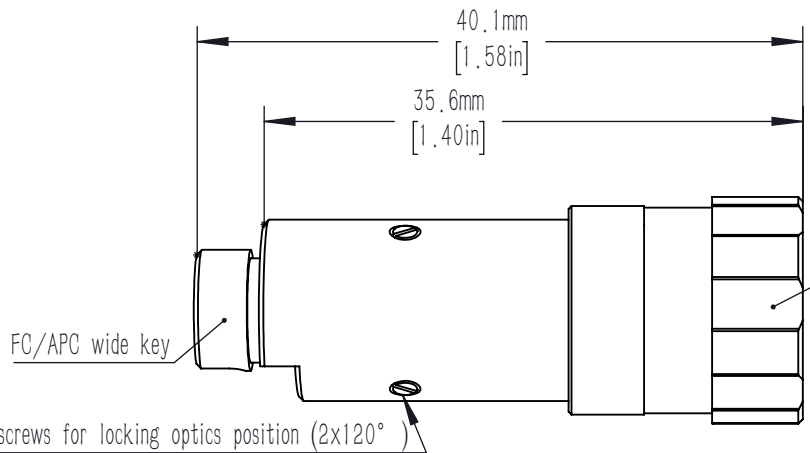
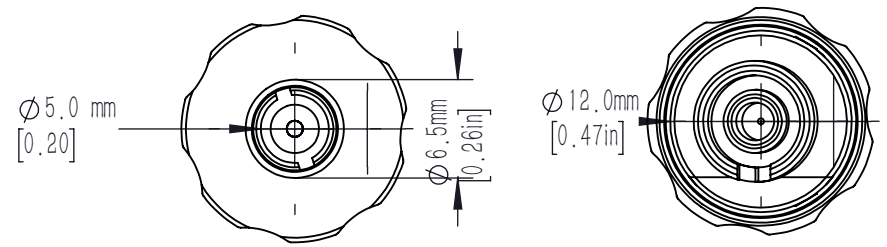


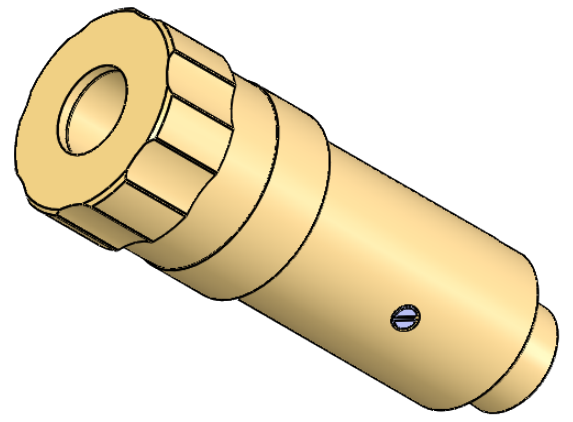
Pin screw for additional locking of the fiber ferrule.



adjustment of focus setting

FC/APC wide key

clamp screws for locking optics position (2x120°)



- notes,
- 1.focal length: 4.5 mm
  - 2.Waist beam spot diameter: 0.98 mm@ 850 nm 780HP
  - 3.Interface type: FC/APC
  - 4.Lens type: Aspheric lens
  - 5.Collimation divergence angle:  $\leq 0.07^\circ$
  - 6.Lens coating:  $R_{avg} \leq 0.5\% @ 600 - 1050 \text{ nm}$

DRAWING PROJECTION							
	NAME	DATE	PRACFCD-4.5-B-APC				
DRAWN	BSHU	2026/2/4	FIBER COLLIMATOR				
APPROVAL	WCHENG	2026/2/4	MATERIAL	WEIGHT	SCALE	REV	
FOR INFORMATION ONLY NOT FOR MANUFACTURING PURPOSES			Silicon brass	29 g	2:1	A	