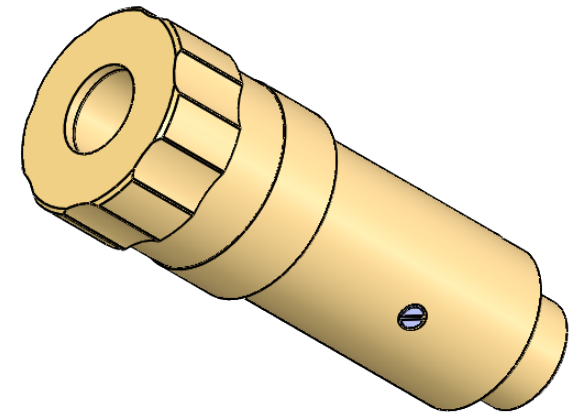
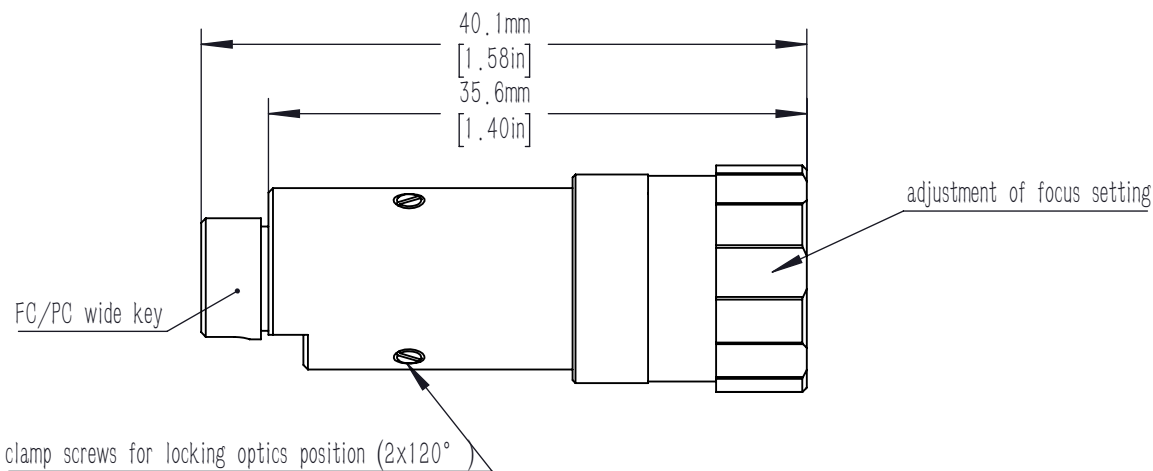
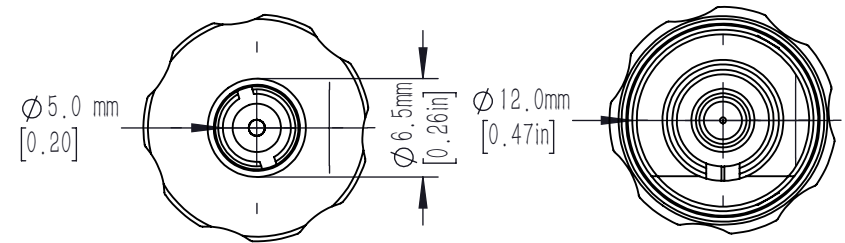


Pin screw for additional locking of the fiber ferrule.



notes,

- 1.focal length: 4.5 mm
- 2.Waist beam spot diameter: 0.98 mm@ 850 nm 780HP
- 3.Interface type: FC/PC
- 4.Lens type: Aspheric lens
- 5.Collimation divergence angle:  $\leq 0.07^\circ$
- 6.Lens coating:  $R_{avg} \leq 0.5\% @ 600 - 1050 \text{ nm}$

DRAWING PROJECTION			<b>LBTEK</b>			
	NAME	DATE				
DRAWN	BSHU	2026/2/4	FIBER COLLIMATOR			
APPROVAL	WCHENG	2026/2/4	MATERIAL	WEIGHT	SCALE	REV
FOR INFORMATION ONLY NOT FOR MANUFACTURING PURPOSES			Silicon brass	29 g	2:1	A