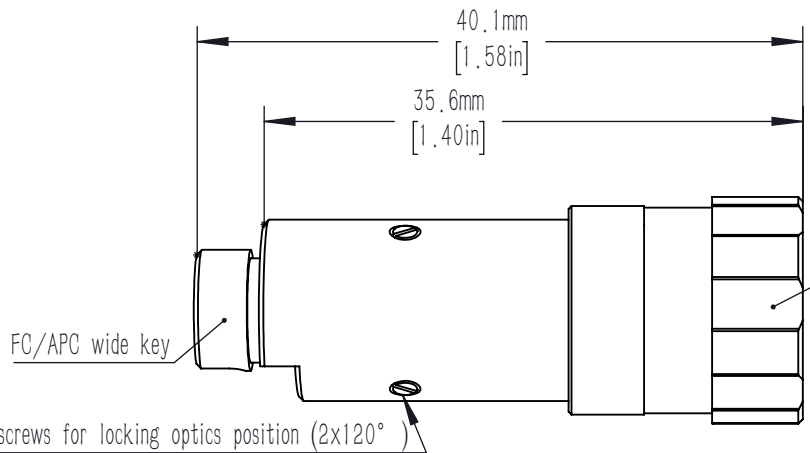
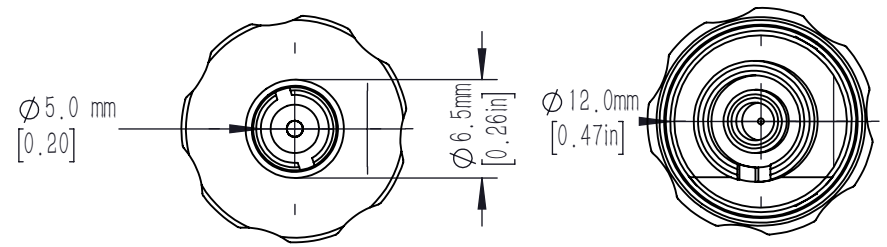


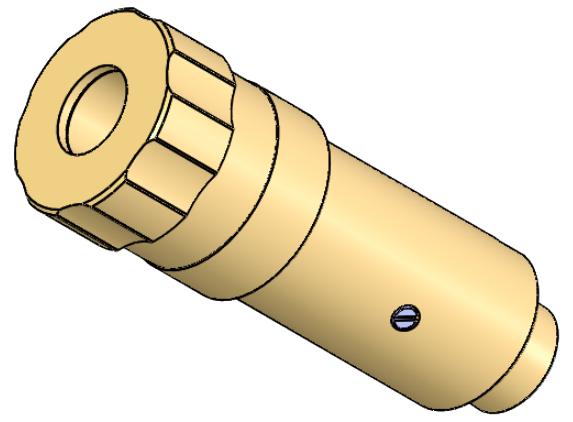
Pin screw for additional locking of the fiber ferrule.



adjustment of focus setting

FC/APC wide key

clamp screws for locking optics position (2x120°)



notes.

- 1.focal length: 4.5 mm
- 2.Waist beam spot diameter: 0.88 mm@ 1550 nm SMF28E
- 3.Interface type: FC/APC
- 4.Lens type: Aspheric lens
- 5.Collimation divergence angle: $\leq 0.13^\circ$
- 6.Lens coating: $R_{avg} \leq 0.5\% @ 1050 - 1700 \text{ nm}$

DRAWING PROJECTION				LBTEK			
	NAME	DATE	PRACFCD-4.5-C-APC				
DRAWN	BSHU	2026/2/3	FIBER COLLIMATOR				
APPROVAL	WCHENG	2026/2/3	MATERIAL	WEIGHT	SCALE	REV	
FOR INFORMATION ONLY NOT FOR MANUFACTURING PURPOSES			Silicon brass	29 g	2:1	A	