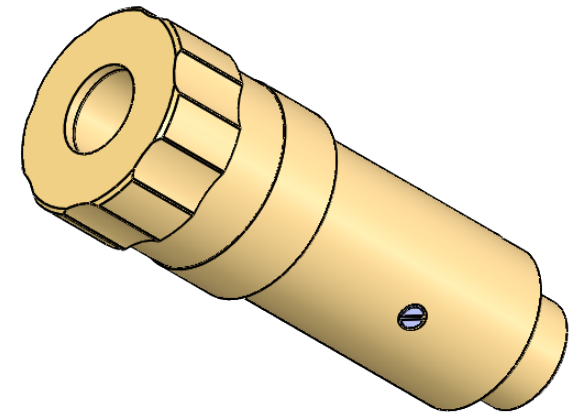
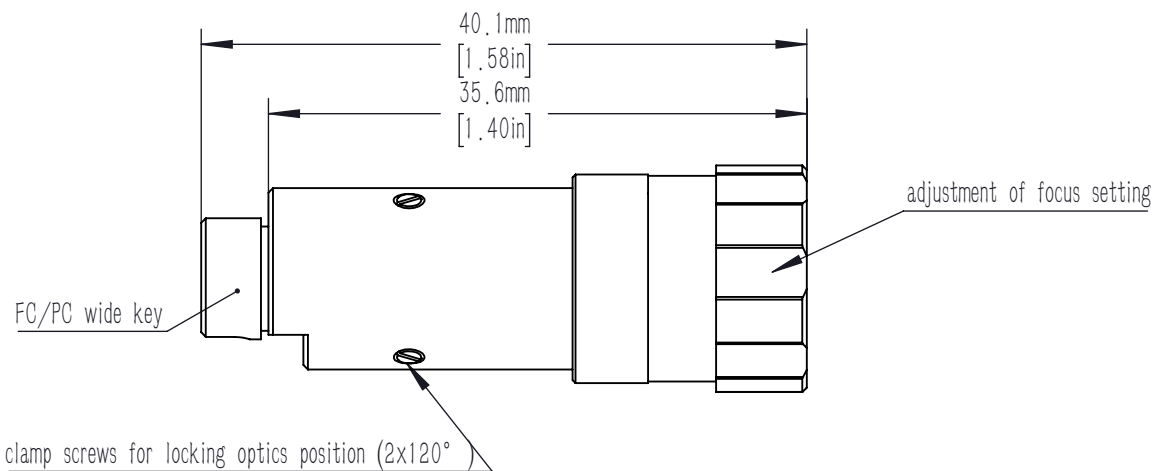
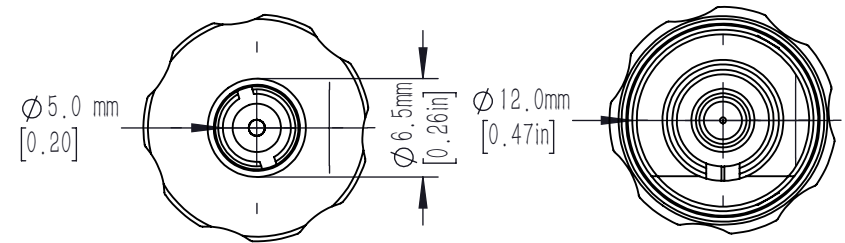


Pin screw for additional locking of the fiber ferrule.



notes,

- 1.focal length: 4.5 mm
- 2.Waist beam spot diameter: 0.88 mm@ 1550 nm SMF28E
- 3.Interface type: FC/PC
- 4.Lens type: Aspheric lens
- 5.Collimation divergence angle: $\leq 0.13^\circ$
- 6.Lens coating: $R_{avg} \leq 0.5\% @ 1050 - 1700 \text{ nm}$

DRAWING PROJECTION			LBTEK			
	NAME	DATE				
DRAWN	BSHU	2026/2/4	FIBER COLLIMATOR			
APPROVAL	WCHENG	2026/2/4	MATERIAL	WEIGHT	SCALE	REV
FOR INFORMATION ONLY NOT FOR MANUFACTURING PURPOSES			Silicon brass	29 g	2:1	A