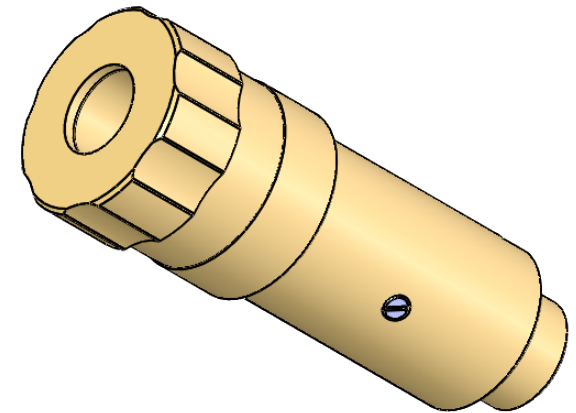
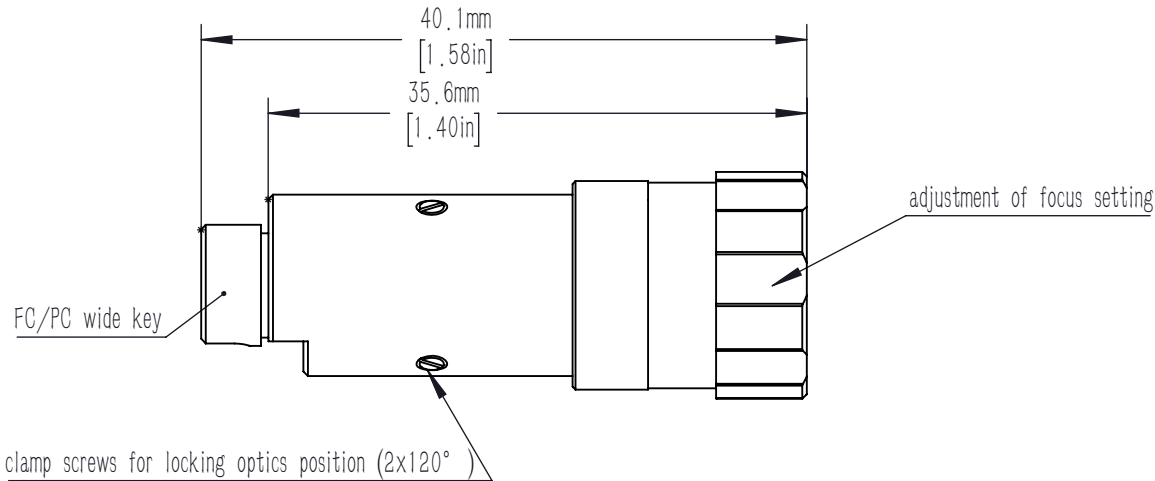
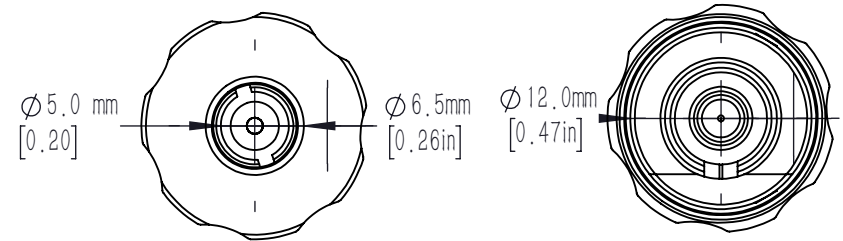


Pin screw for additional locking of the fiber ferrule.



notes.

1. focal length: 7.5 mm
2. Waist beam spot diameter: 1.36 mm@ 515 nm 460HP
3. Interface type: FC/PC
4. Lens type: Aspheric lens
5. Collimation divergence angle:  $\leq 0.035^\circ$
6. Lens coating:  $R_{\text{avg}} \leq 0.5\% @ 350 - 700\text{ nm}$

DRAWING PROJECTION			<b>LBTEK</b>			
	NAME	DATE				
DRAWN	BSHU	2026/2/4	FIBER COLLIMATOR			
APPROVAL	WCHENG	2026/2/4	MATERIAL	WEIGHT	SCALE	REV
FOR INFORMATION ONLY NOT FOR MANUFACTURING PURPOSES			Silicon brass	29 g	2:1	A